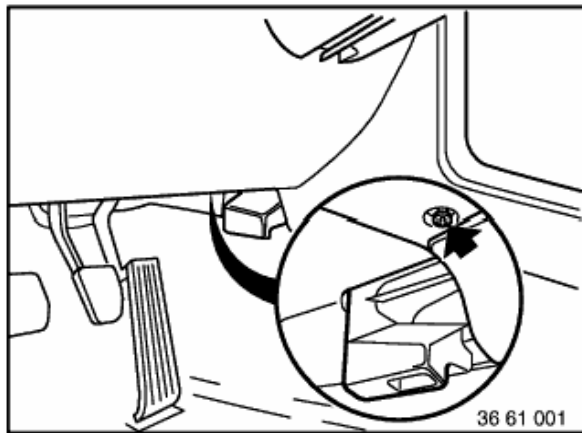
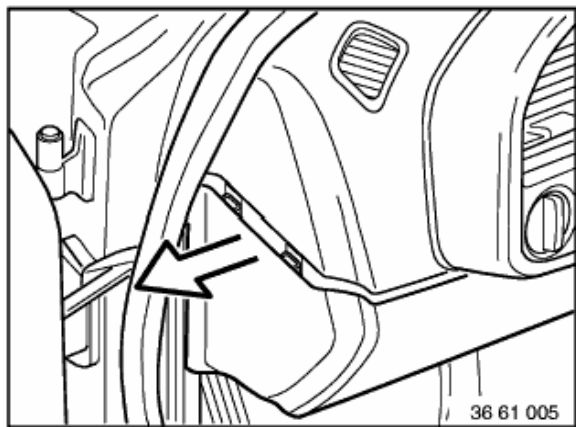


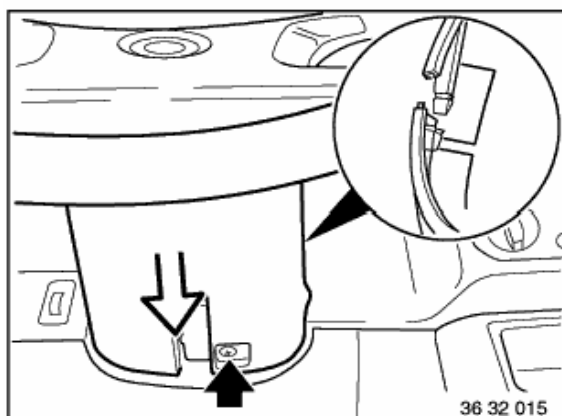
Turn steering wheel to straight-ahead position.  
Remove steering wheel,  
refer to 32 33 000.  
Remove instrument panelling at bottom left.



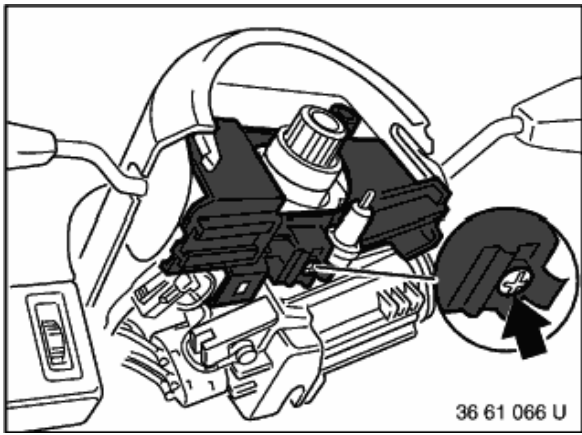
Unscrew screw.



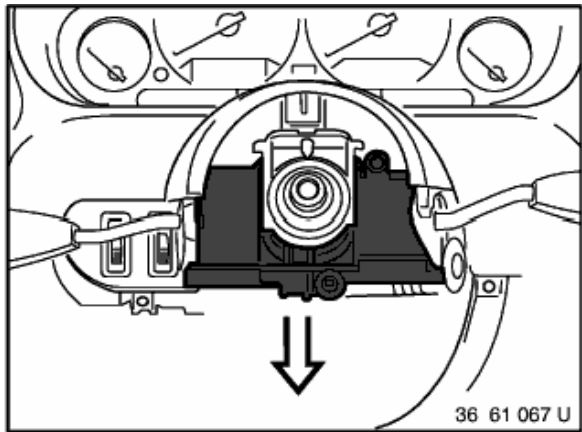
Pull bottom trim panel to the side out of the clips.



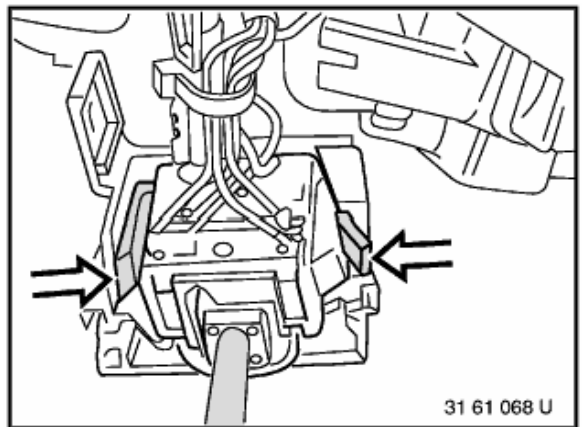
Remove screw and take off lower section of steering-column  
panelling.



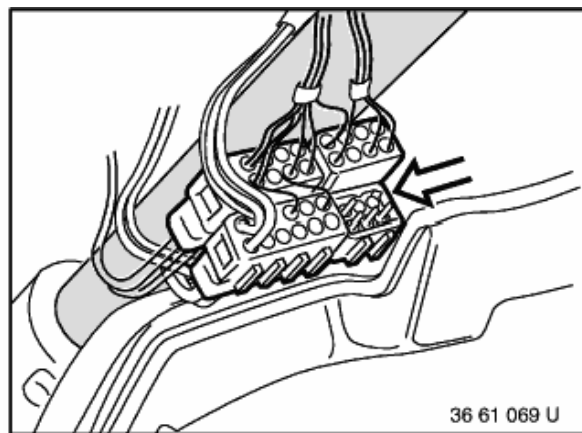
Remove screw for holder of steering-column stalk.



Lever off holder in downwards direction using a screwdriver.



Compress retainers on both sides and pull out lever.



Loosen cable straps on steering column.

Disconnect plug connection.

**Installation:**

Do not damage self-cancelling cam of turn-indicator lever.  
Move turn-indicator lever to middle position, then install.