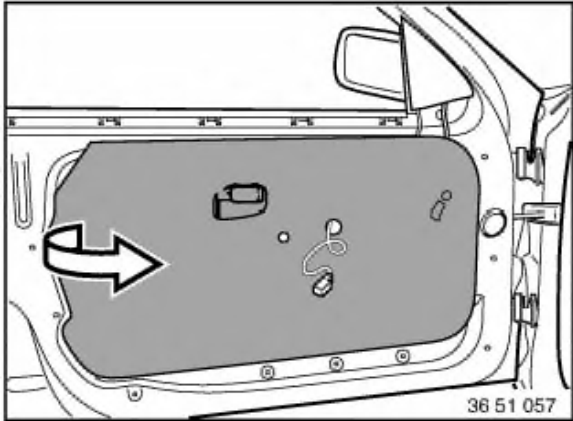


Remove door trim panel,
refer to 51 41 000

Gradual introduction since 11/92:

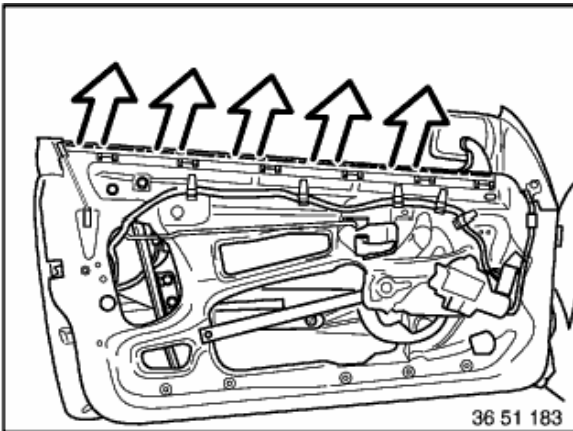
Removing rubbing strip,
refer to 51 15 330



Pull off cover.

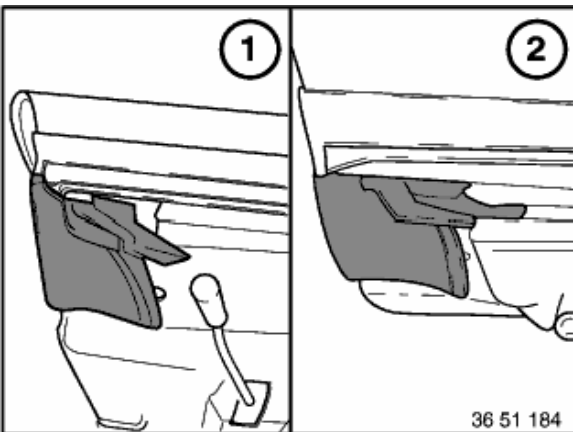
Installation:

Replace cover.



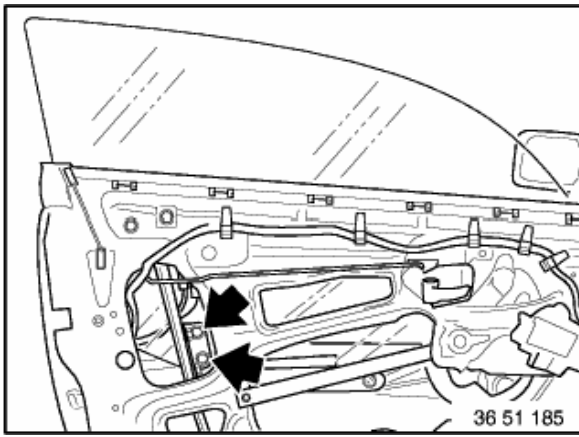
Lower door window completely.

Pull off inner window recess cover strip and clips.



Installation:

Insert seal at rear correctly.



Hexagon head or Torx mounting screws:

Lower door window to approx. 250 mm.

Caution!

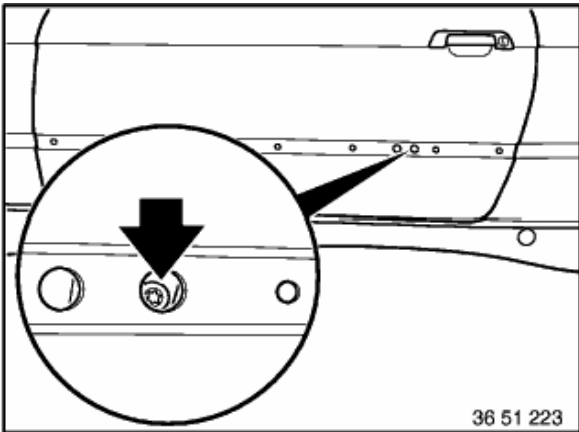
Disconnect power window motor plug.

Close rotary tumbler lock by hand.

Note safety instructions on risk of finger-jam,
refer to 51 32 ...

Unfasten screws in bracket on rear guide rail.

Tightening torque, refer to Technical Data 51 32 2AZ

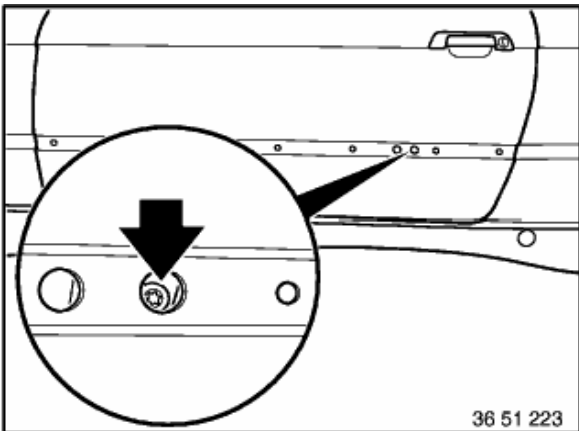


Hexagon socket mounting screws:

Lower door window to about 105 - 110 mm.

Unfasten lower screw through rear adjustment bore (4 mm hex cap screw) on retaining bracket.

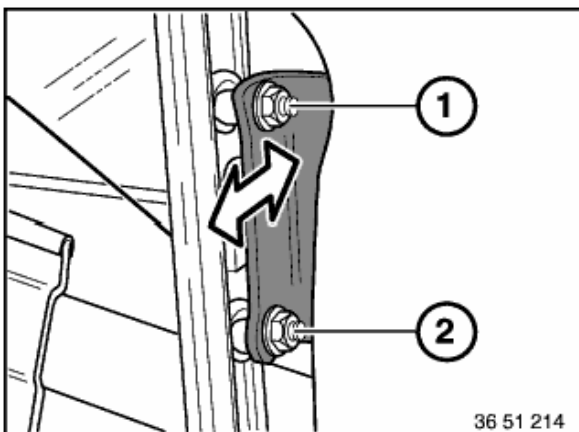
Tightening torque, refer to Technical Data 51 32 2AZ



Lower door window to about 65 ... 70 mm.

Unfasten top screw through rear adjustment bore (4 mm hex cap screw).

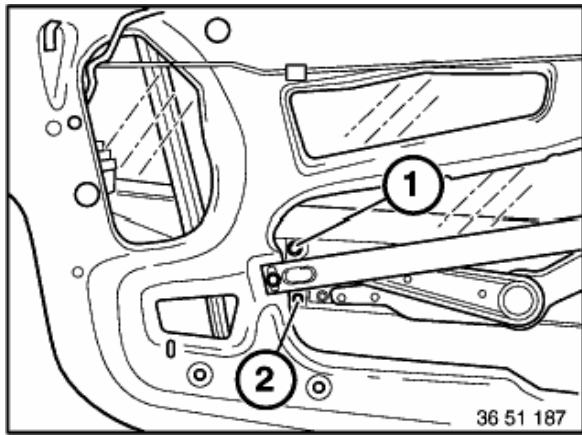
Tightening torque, refer to Technical Data 51 32 2AZ



Loosen screws (1 and 2).

Installation:

First tighten screws on the door window glass and then tighten screws (1 and 2) on the window guide rail.



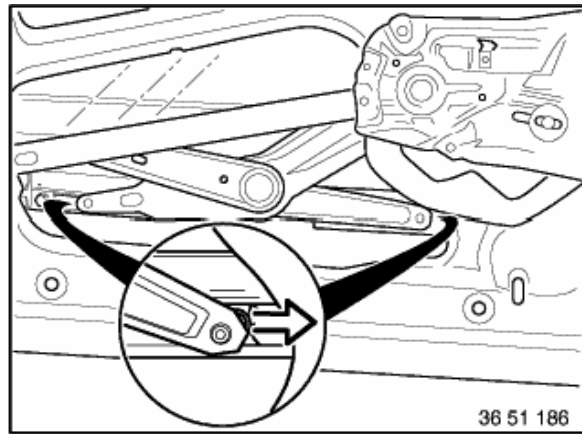
Lower door window to about 190 mm.

Caution!

Disconnect power window motor plug. Refer to safety precautions to avoid injury from clamping.

Unfasten screw (1), loosen screw (2) and remove rear bracket for door window detent.

Tightening torque, refer to Technical Data 51 32 2AZ



Lower door window to about 110 mm.

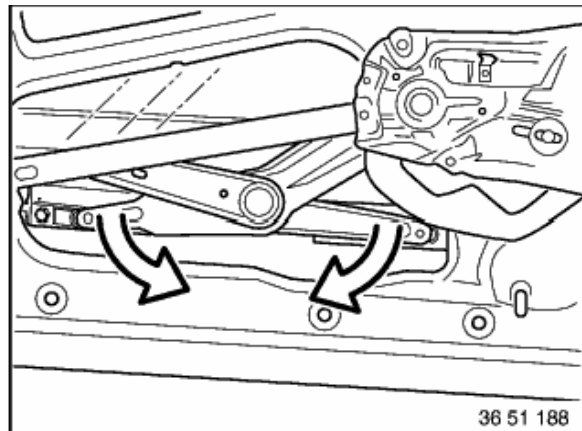
Caution!

Disconnect power window motor plug.
Note safety instructions on risk of finger-jam, refer to 51 32 ...

Push securing clips aside.

Caution!

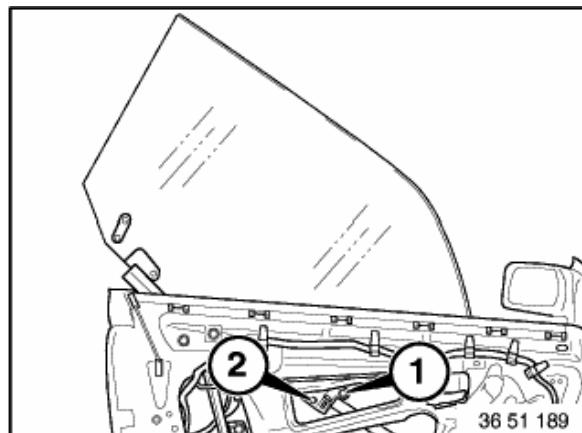
Open the rotary latch lock.



Grip door window and disconnect window regulator arms. Lay aside rear window on door.

Installation:

Guide front end of window glass into guide rail.



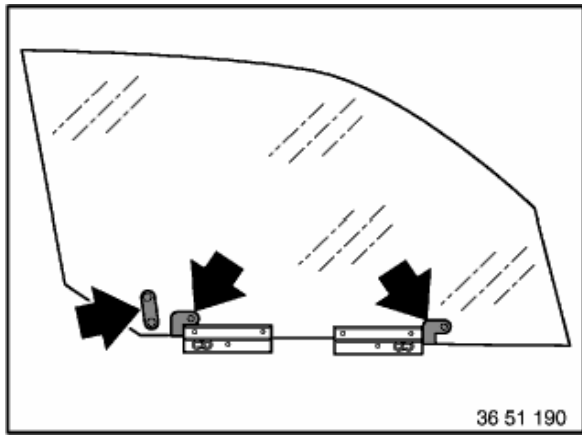
Unfasten screw (1), loosen screw (2) and remove bracket for front door window detent.

Take window glass out of door.

Installation:

For tightening torque, refer to Technical Data 51 32 2AZ

Adjust door window, refer to 51 32 605



Only replace:

Lift out securing parts of holders on door window glass.