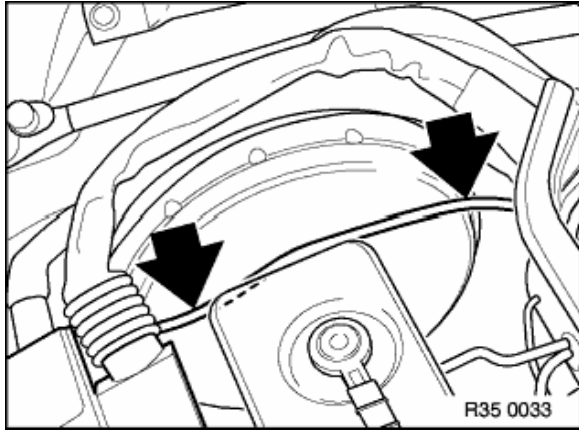


Caution!

Adjust throttle cable after installation,
refer to 35 41 ...

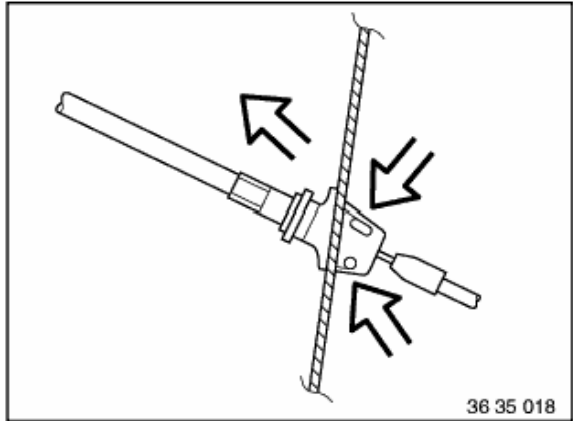


Remove and install panelling for instrument panel,
refer to gr. 51

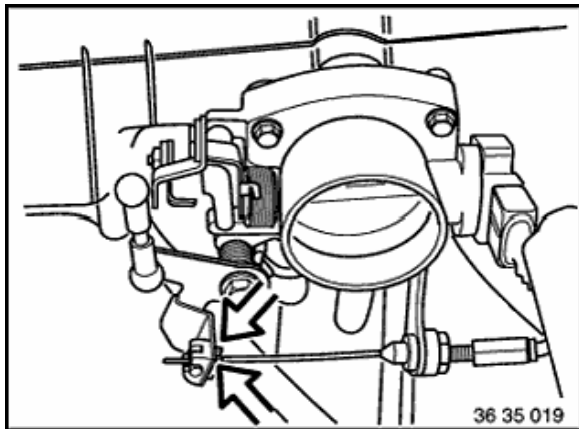
Disconnect Bowden cable on accelerator-lever shaft.

Installation:

Check rubber grommet (1), replace if necessary.



Compress retaining hook and pull Bowden cable out of engine-compartment wall.

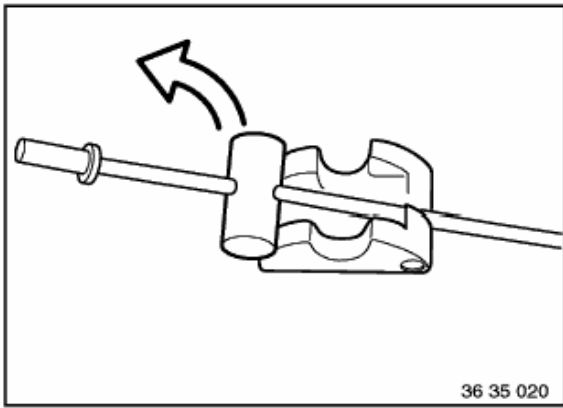


6-cylinder:

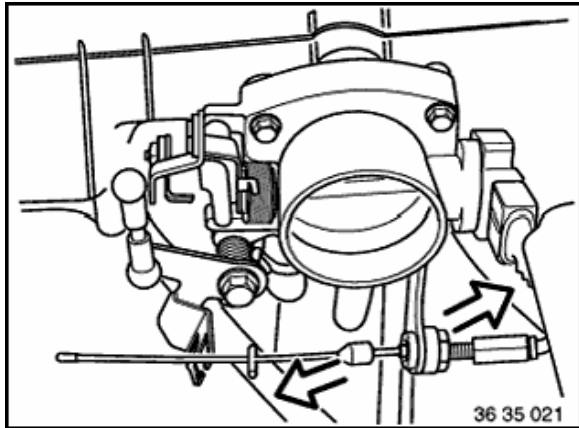
Compress nipple mounts on both lugs and press out of operating lever.

Note:

Intake pipe was removed for demonstration purposes.



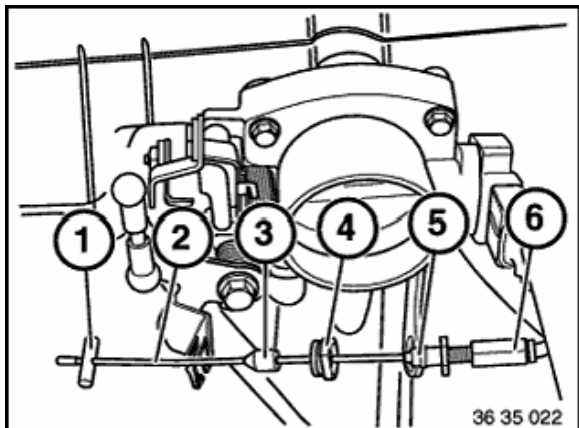
Press nipple out of nipple mounts.
Take Bowden cable out of nipple mounts.



Remove protective cap using a screwdriver.
Pull out Bowden cable towards rear of vehicle.
Take rubber pad out of retainer.

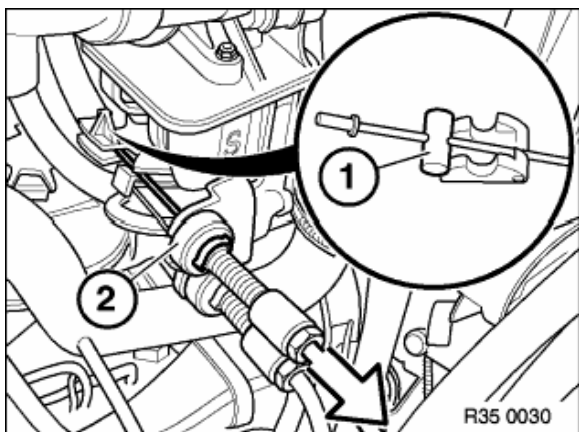
Installation:

Guide in Bowden cable as far as stop.



Overview of throttle cable to throttle-valve assembly:

- 1 Nipple
- 2 Accelerator Bowden cable
- 3 Protective cap
- 4 Rubber mount
- 5 Sleeve
- 6 Adjusting screw

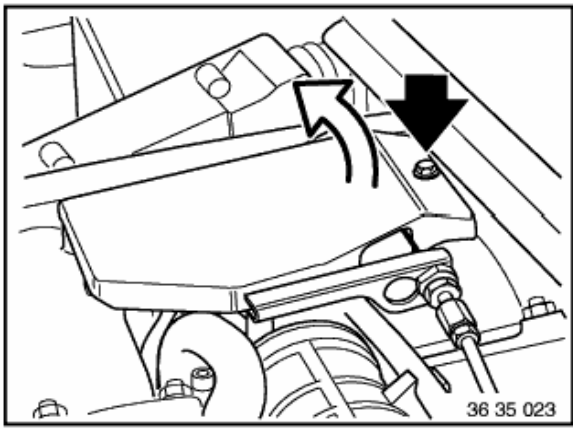


Engine M52:

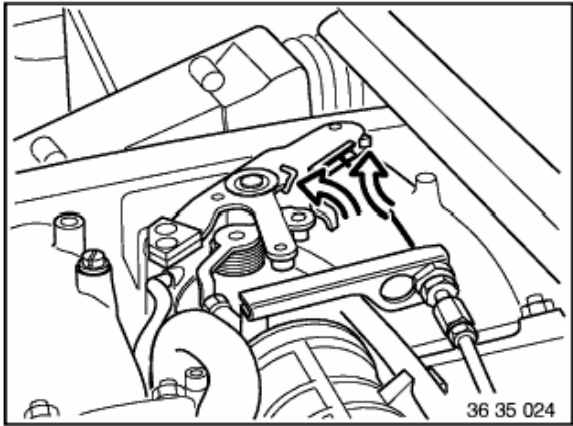
Press nipple (1) of Bowden cable out of nipple mount.
Pull Bowden cable out of rubber mount (2) and detach rubber mount from bracket.

Installation:

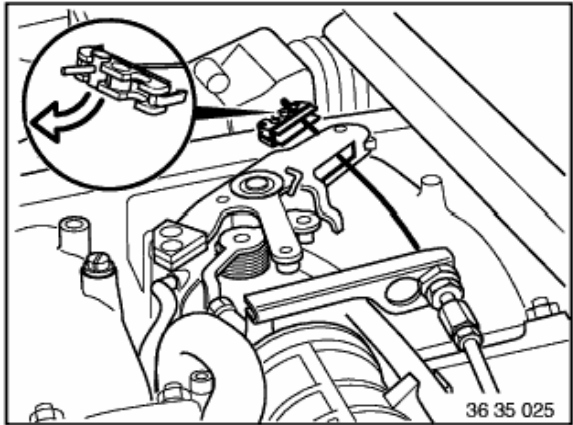
First engage rubber mount (2) in bracket and then press Bowden cable into rubber mount.



4-cylinder:
Unscrew screw.
Fold up cover.



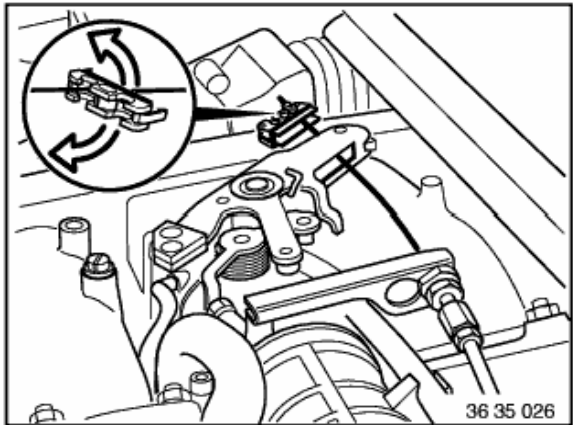
Press nipple mount apart at both lugs and press out of operating lever.



Press nipple out of nipple mounts.

Installation:

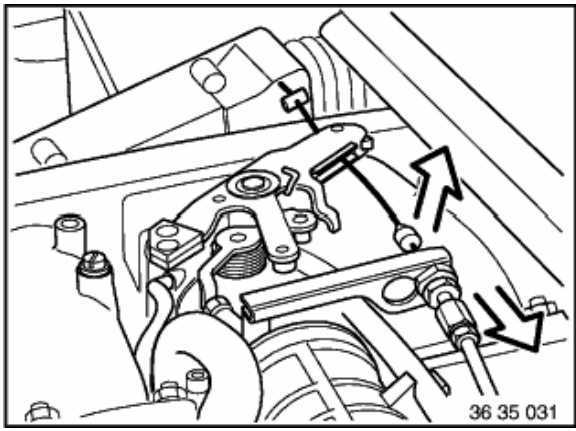
Check installed position (rear take-up).



Unbend nipple mounts using a screwdriver and remove Bowden cable.

Installation:

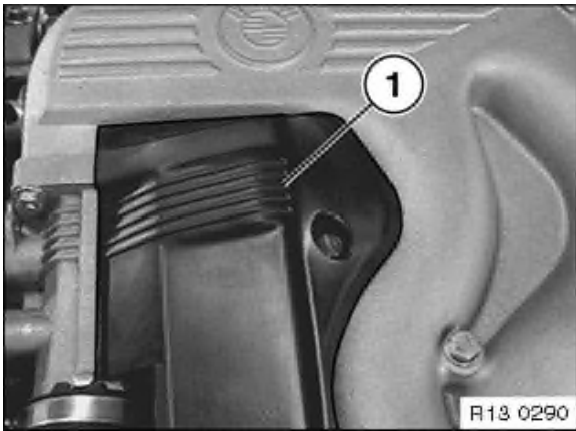
Replace nipple mounts.



Remove protective cap using a screwdriver.
Pull out Bowden cable towards rear of vehicle.

Installation:

Guide in Bowden cable as far as stop.



Engine M44:

Remove cap (1).

Press together both locking hooks of nipple mount and press nipple mount out of operating lever.

The subsequent work step is identical to that for the M52 engine, see above.