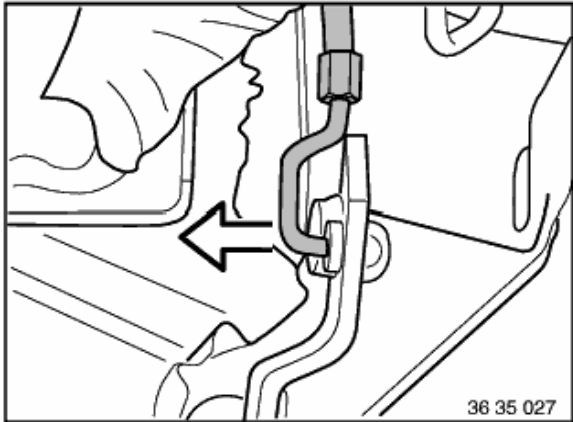


Note:

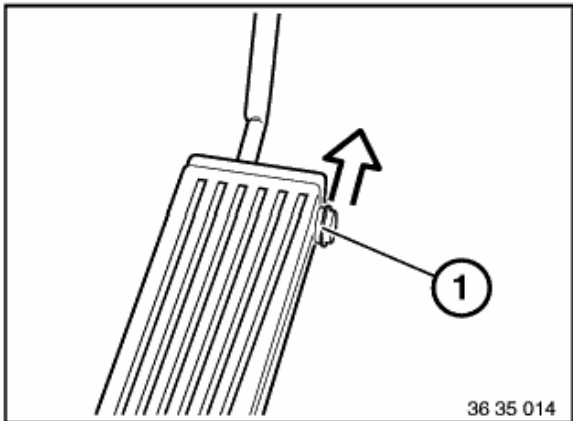
Remove panelling for instrument panel,
see gr. 51



Disconnect Bowden cable on accelerator-lever shaft.

Installation:

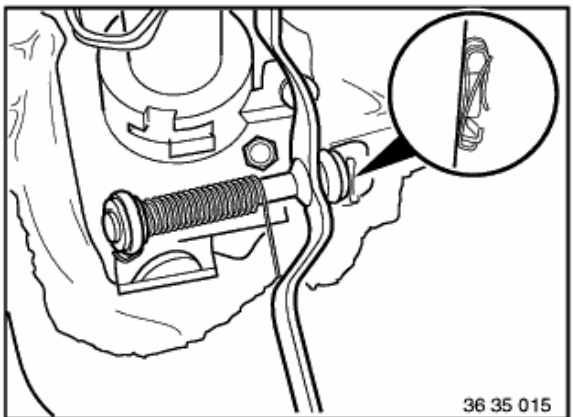
Check rubber grommet, replacing if necessary.



Press off locking washer (1).
Disconnect pedal.

Installation:

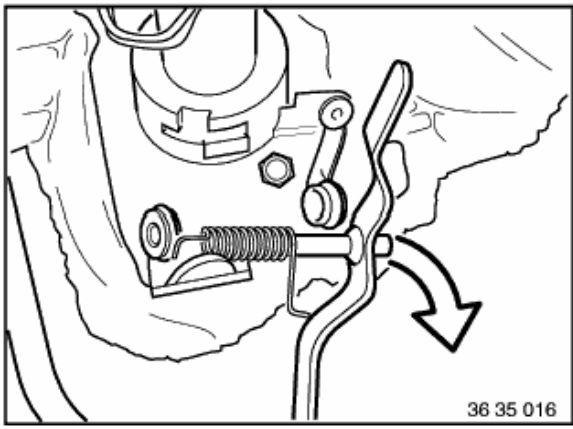
Grease anti-friction faces,
refer to Technical Data



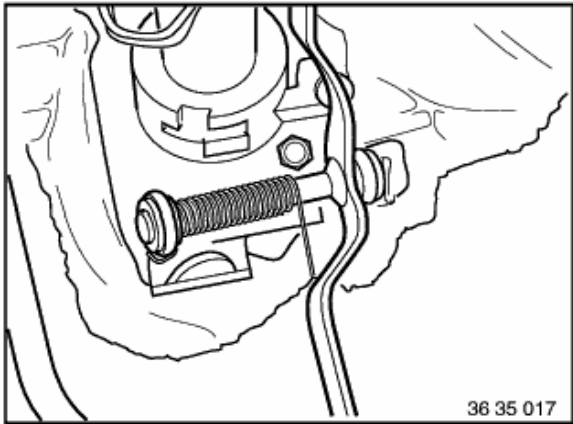
Take off locking clip.

Installation:

Check for correct seating of locking clip.



Disconnect return spring.
Slide accelerator-lever shaft to the left and remove.



Installation:

Check for correct installation position of return spring.