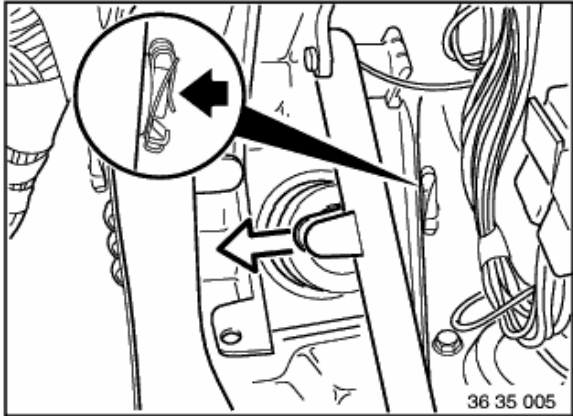


Note:

Remove and install panelling for instrument panel,
see gr. 51

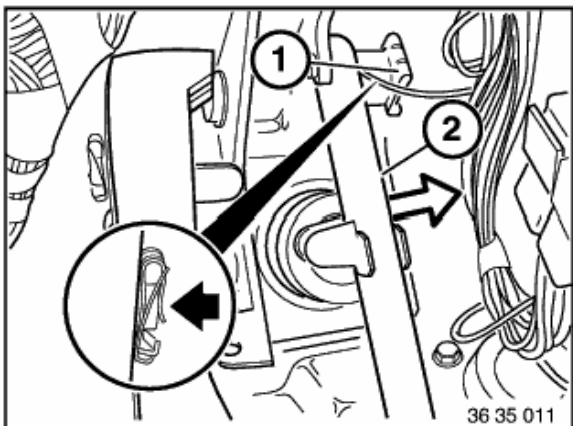
Remove brake-light switch,
see group 61



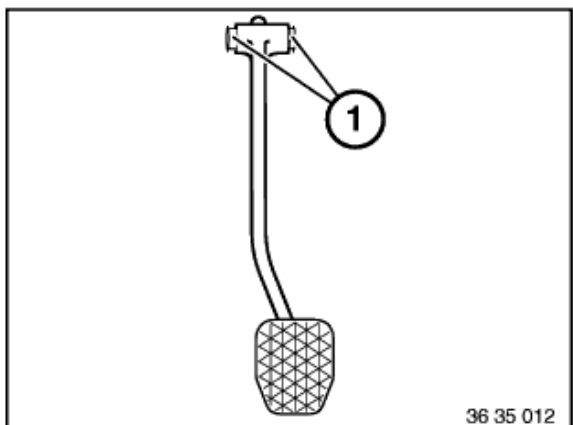
Disconnect return spring for brake pedal.
Take off locking clip for shaft pin of brake pedal.
Push out shaft pin.

Installation:

Lubricate sliding surfaces with grease,
see Technical Data.



Take off locking clip (1) for brake pedal.
Pull off brake pedal (2).

**Installation:**

Check bearing sleeves (1), replacing if necessary.
Lubricate sliding surfaces with grease,
see Technical Data.