

Note:

Remove rear brake disk,
refer to 34 21 320

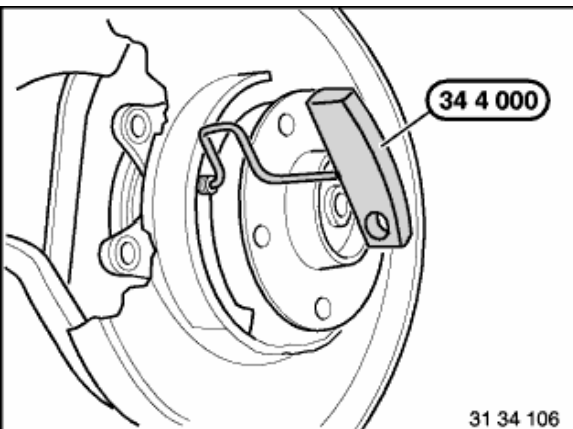
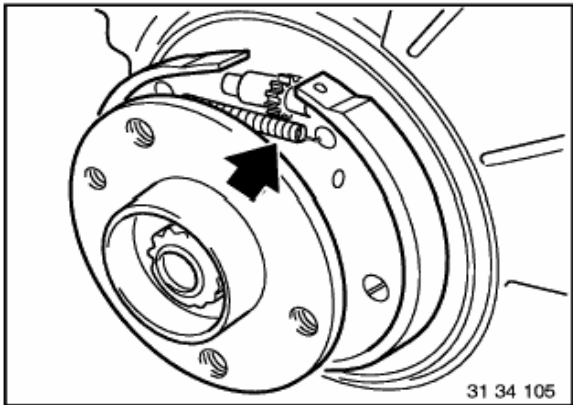
Installation:

Adjust handbrake
refer to 34 10 014

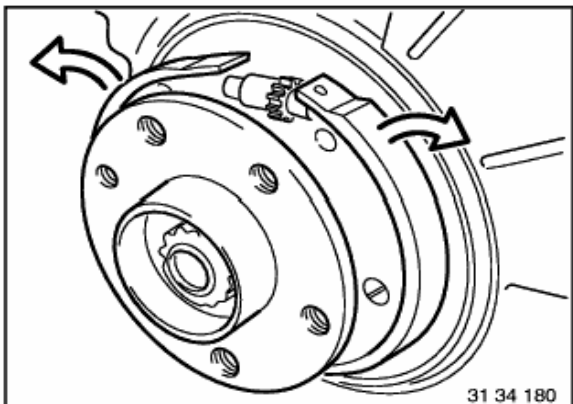
Disconnect return springs with brake spring pliers.

Installation:

Check return springs, replacing if necessary.



Twist clamping pin through 90° with special tool 34 4 000 and disconnect.



Spread brake shoes apart at bottom and lift off in upwards direction.