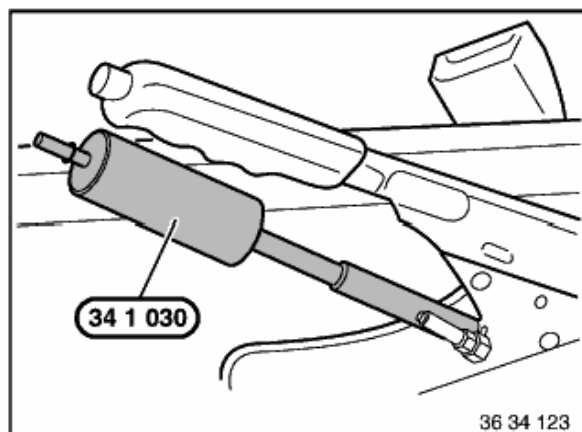


Lift out dust cover.

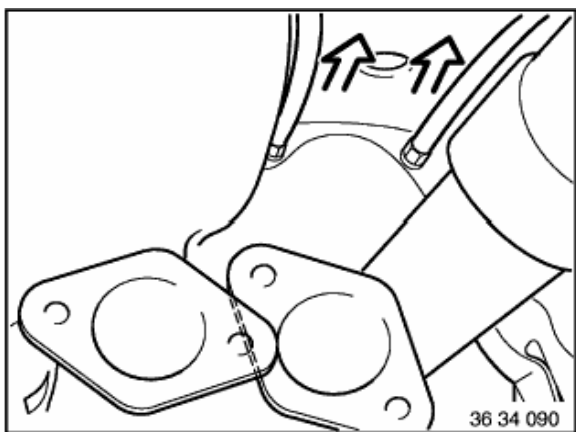


Loosen lock nut using special tool 34 1 030 and unscrew together with adjusting nut.

Installation:

Adjust handbrake

refer to 34 10 014



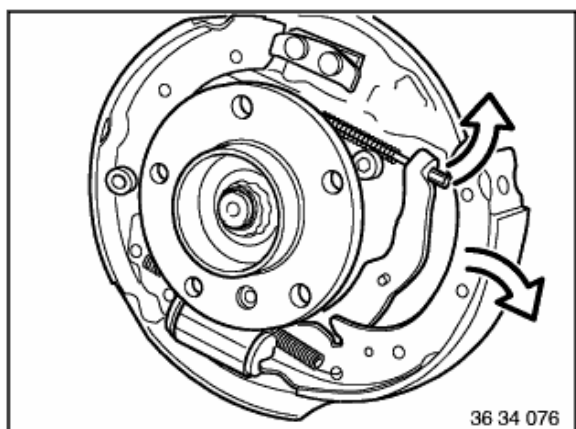
Remove final muffler (not necessary with compact),
refer to Gr. 18

Unscrew heat shield.

Pull parking brake cables out of guides.

Installation:

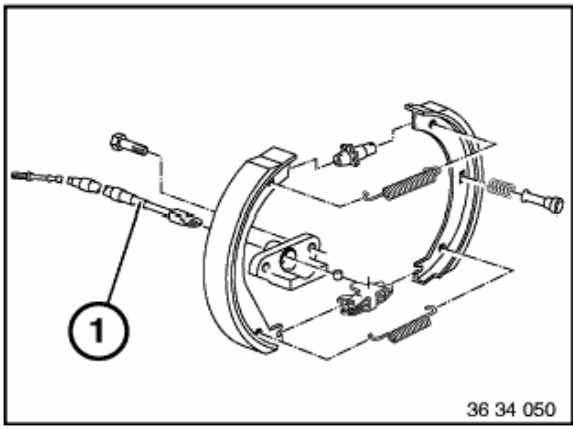
Make sure handbrake lever is in released position when
guiding in handbrake cables.



Drum Brakes:

Remove brake drum,
refer to 34 21 530

Disconnect rear brake shoe/upper spring. Disconnect handbrake
cable.



Disc Brakes:

Take handbrake cables (1) out of expander lock,
refer to 34 41 250

Pull out handbrake cables (1).

Installation:

Carry out basic handbrake adjustment,
refer to 34 10 014