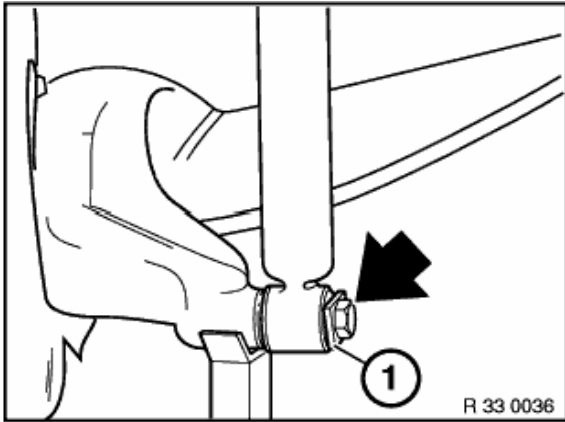


Removing output shaft from final drive,  
refer to 33 21 000.

If necessary, unscrew stabilizer on trailing arm.



Support trailing arm.

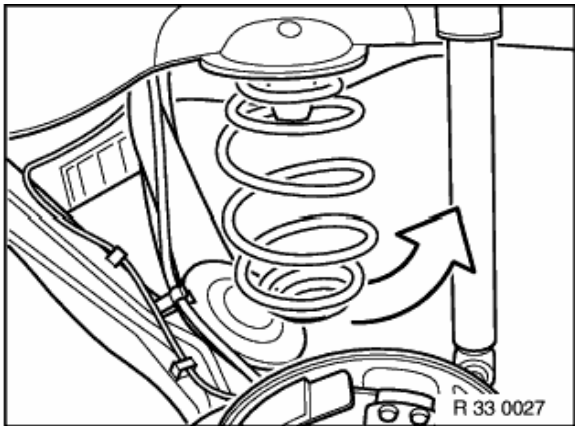
Unscrew screw.

**Installation:**

Use washer (1).

Tightening Torque,

refer to Technical Data 33 52 1AZ



Lower trailing arm and take off barrel spring.

**Installation:**

Check coil spring for surface damage and spring mounts,  
replace if necessary.

Only refit coil springs with identical BMW number.

**Note:**

On the "rough-road package" version, the spring pad top is  
22.0 mm thick.