

Assessment of shock absorber wear, refer to 31 31 031.

Saloon/Sedan, Coupé, Compact, Touring, Z3 Coupé:

Remove luggage compartment panel.

Convertible:

The screws on the shock absorber mounting are located under the plastic caps in the convertible top compartment.

Z3 roadster:

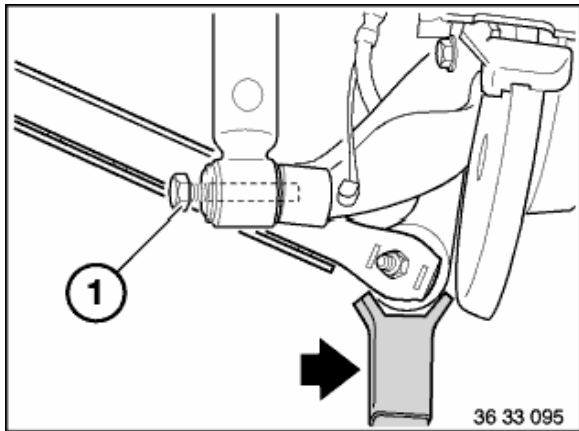
Remove panel from convertible top compartment.



### Important!

After installation:

Check output shaft for correct seating in final drive.



Raise vehicle, support trailing arm and unfasten screw (1).

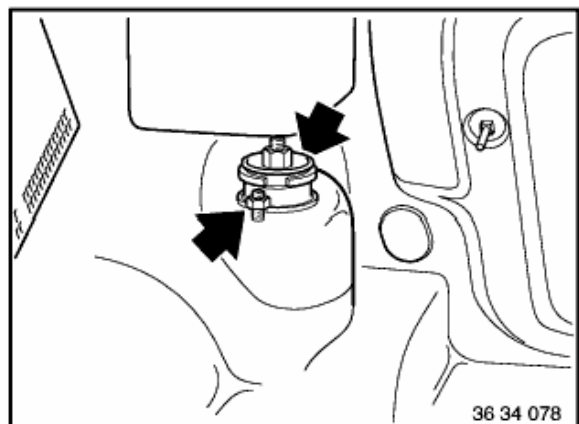
### Note:

The shock absorber has the function of an arrester band. To prevent damage to the output shaft, do not remove the support or raise the vehicle.

### Installation:

Thrust washer on rubber mount must point to screw head.

Tightening torque, 33 52 1AZ.



Pull off cap.

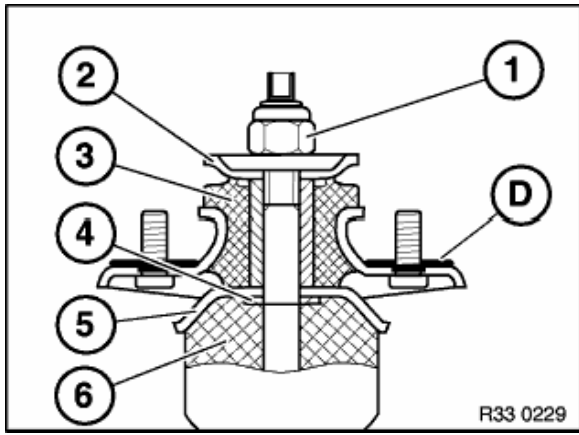
Unscrew nuts. If necessary, remove reinforcement plate.

### Installation:

Install new seal between support bearing and body. Replace self-locking nuts.

If a reinforcement plate was fitted, this must now be reinstalled.

Tightening torque, 33 52 3AZ.



Support bearing arrangement:

1 = Nut

Tightening torque, 33 52 2AZ.

2 = Joint seat

3 = Support bearing

4 = Supporting ring

5 = Support element

6 = Auxiliary spring

D = Seal

Z 3 Roadster, Z 3 Coupé:

If the support bearing is replaced, a rubber washer (refer to EPC) must be stuck in the middle to the lower side of the joint seat (2) and in the middle to the upper side of the support element (5).

It is absolutely essential to ensure an exact bond in the middle so that the rubber washer is not jammed when screwed in between the inner sleeve of the support bearing (3) and the joint seat (2) or support element (5).