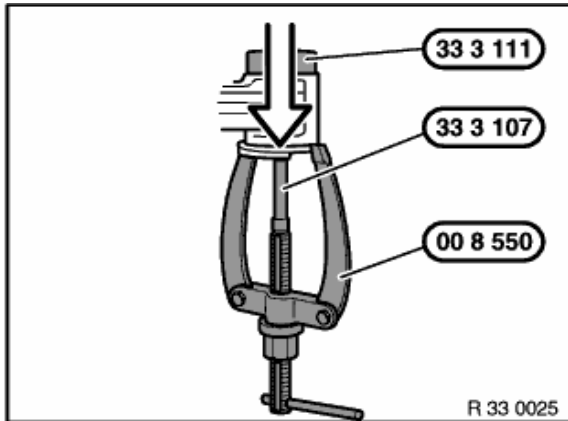


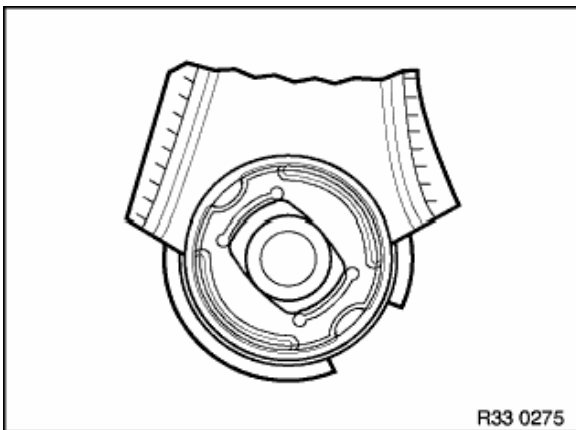
Operations are identical to Removing rear axle carrier, where the handbrake cables do not have to be released and on the M Coupé and M Roadster the brake calipers do not have to be removed, refer to 33 31 000.

Lower rear axle about 20 cm.



Pull out rubber mount using special tool 00 8 550/33 3 107/111.

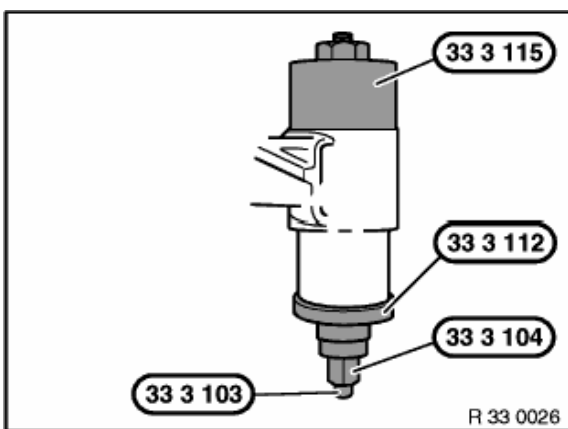
If necessary, heat up rear axle carrier in area of rubber mount with an industrial hot air blower.



Installation:

Observe installation position of rubber mount in carrier as shown in illustration.

Only rubber mounts of one single manufacturer may be fitted.



Coat new rubber mount with Circolight (refer to BMW Parts Service) and pull in with special tool 33 3 103/104/112/115.