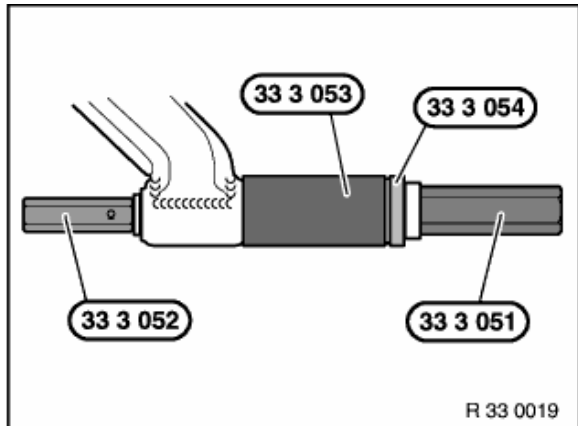
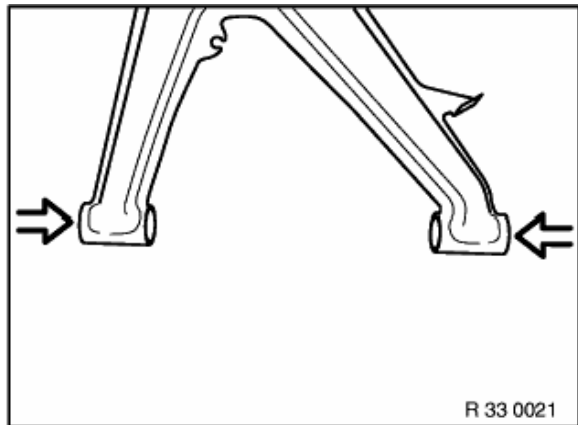


Trailing arm removed.



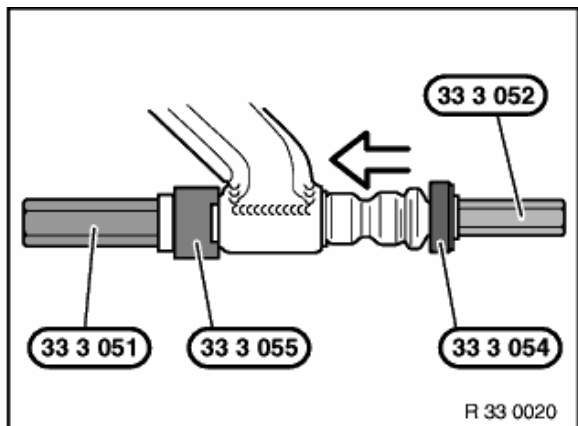
Coat bulge on rubber mount with Circolight (refer to BMW Parts Service).

Pull out rubber mount with special tools 33 3 051/052/053/054.



Note:

Installed position of rubber mounts.



Coat new rubber mount with Circolight (refer to BMW Parts Service) and pull in with special tools 33 3 051/052/054/055.