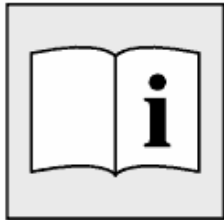


**Important!**

After installation:

Check output shaft for correct seating in final drive.



Remove wheel.

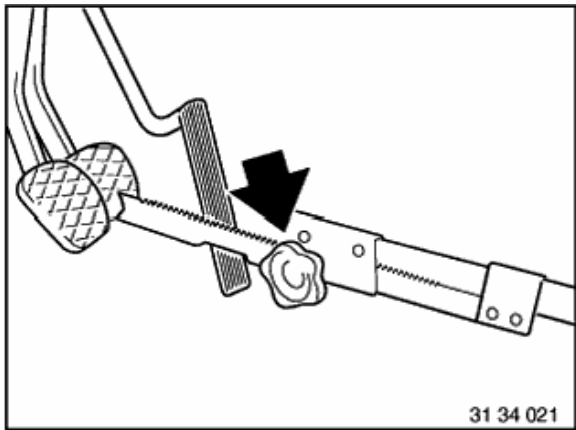
Disconnect handbrake cable from handbrake lever.

Remove coil spring.

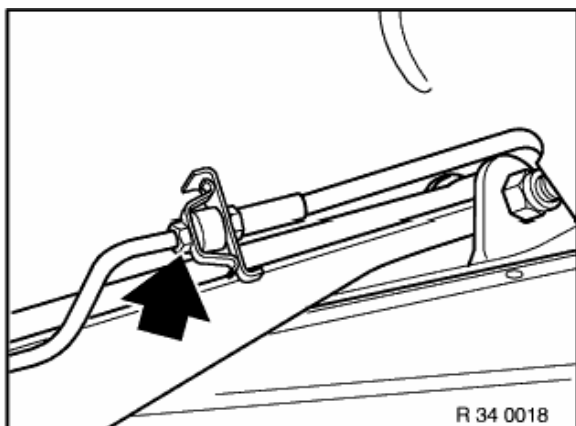
Disconnect ABS pulse generator.

If necessary, unplug brake pad wear indicator.

If necessary, unscrew stabilizer on trailing arm.



Install pedal support and actuate brake pedal. This prevents brake fluid from escaping from the brake system after the brake line has been disconnected.



Disconnect left and right brake pipes.

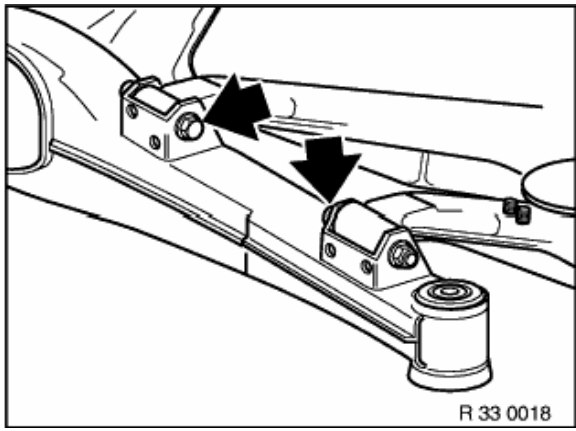
Installation:

Tightening torque,

refer to Technical Data 34 32 1AZ .

Bleed brake system after installation,

refer to 34 00 047.



Support trailing arm.

Unfasten screws and pull trailing arm out.

Installation:

Replace self-locking nuts.

Tightening Torque,

refer to Technical Data 33 32 1AZ