**Special tools required:**

- 33 2 120
- 33 4 390

**Important!**

After installation:

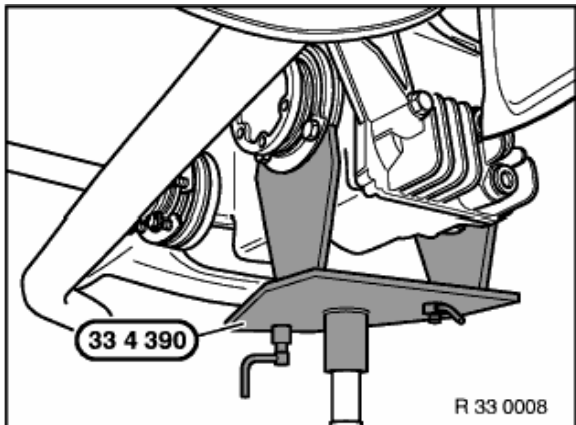
Check output shaft on final drive for correct seating.

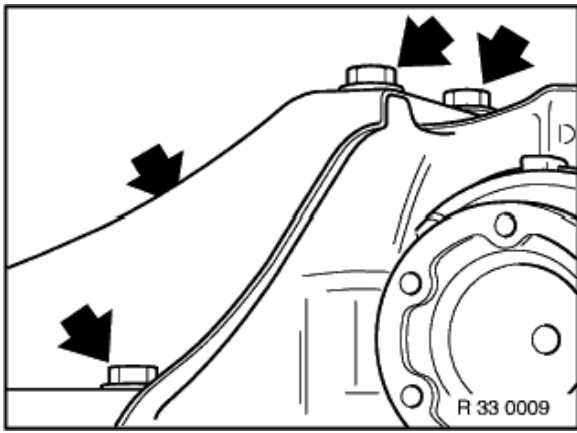
Note:

Remove final muffler.

Pull off speedometer signal plug.

Support final drive from underneath with a transmission lifter and special tool 33 4 390.

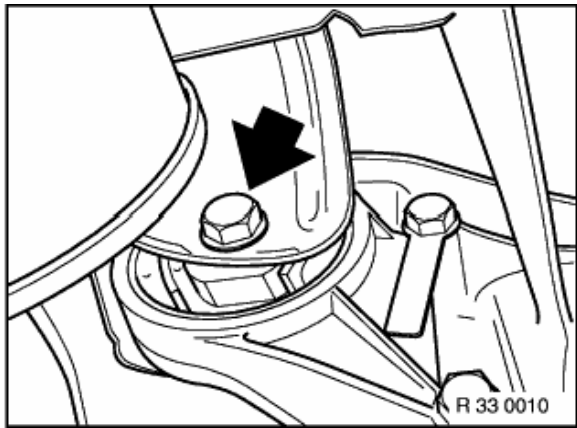




Unfasten screws.

Installation:

Tightening torque, 33 17 1AZ.



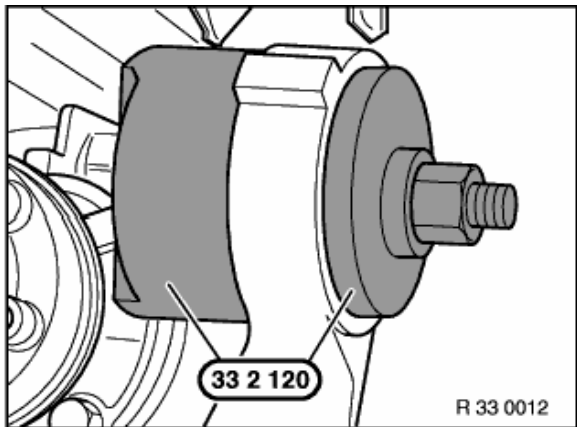
Unscrew screw.

Only lower final drive until special tool can be fitted otherwise the propeller shaft may be damaged.

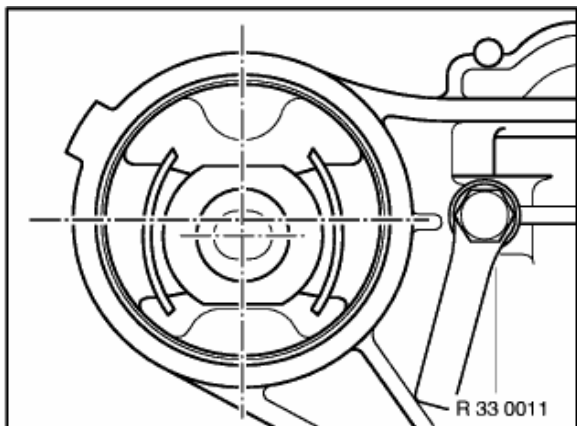
Installation:

Replace self-locking nut.

Tightening torque, 33 17 4AZ.



Pull out rubber mount using special tool 33 2 120 .



Note:

Note installation position.

Pull in rubber mount using special tool 33 2 120 .

