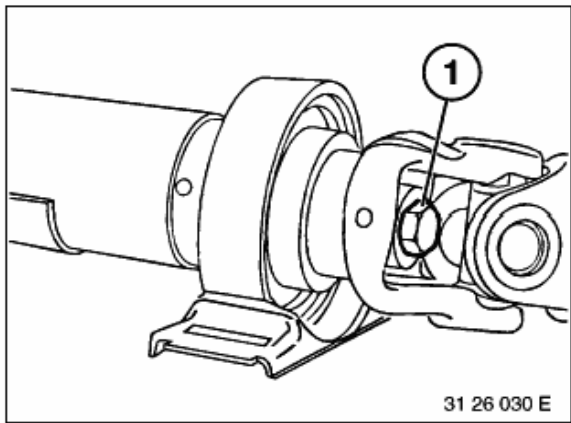


Remove propeller shaft,  
refer to 26 11 000

Mark installed position of front propeller-shaft section to rear  
propeller-shaft section.

**Caution!**

Propeller shaft was balanced in assembled state so that  
propeller-shaft sections must not be turned when re-installed.



Unscrew bolt (1).

Pull off front section of propeller shaft.

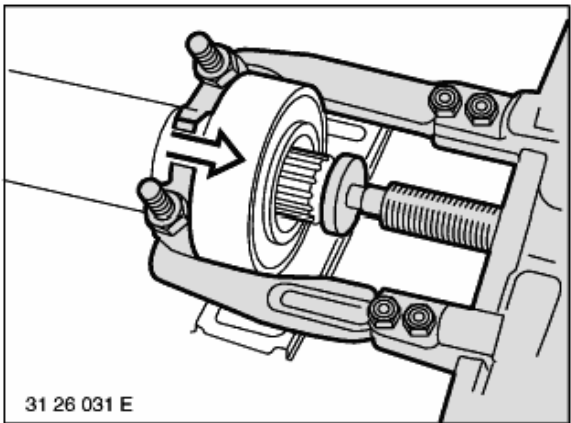
**Installation note:**

Assemble propeller shaft in such a way that punch marks are  
located on opposite sides.

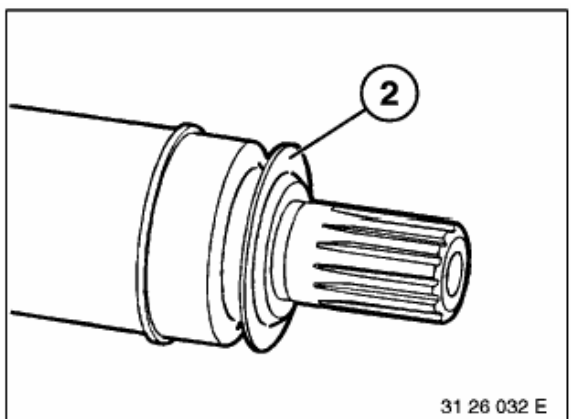
Secure screw (1) with screw retainer (refer to BMW Parts Service).

For tightening torque,

refer to Technical Data 26 11 5AZ

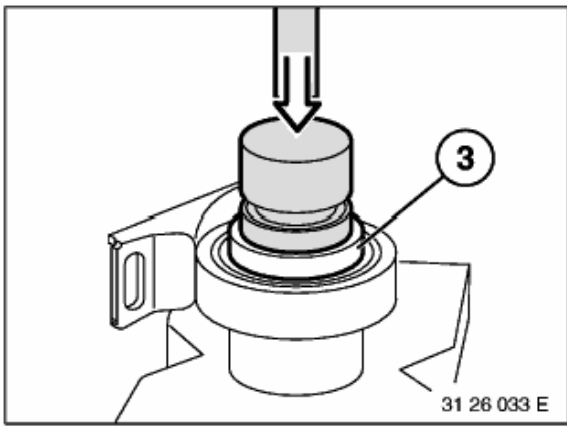


Pull off centre mount complete with grooved ball bearing  
using a standard puller.

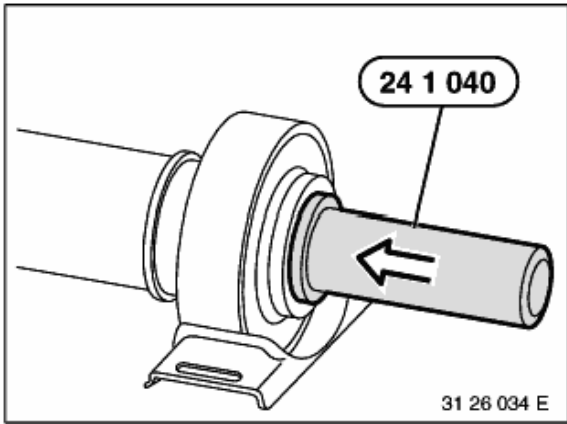


**Installation note:**

Pay attention to installed direction of dust cover (2).



Press grooved ball bearing (3) into centre mount.



Drive on centre mount with ball bearing using Special Tool 24 1 040.

**Caution!**

Check centre mount for ease of movement.