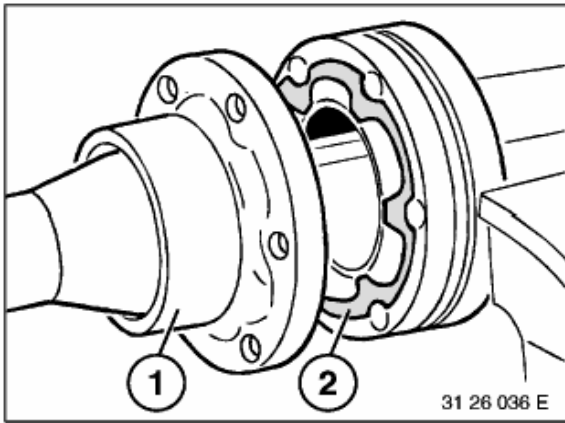
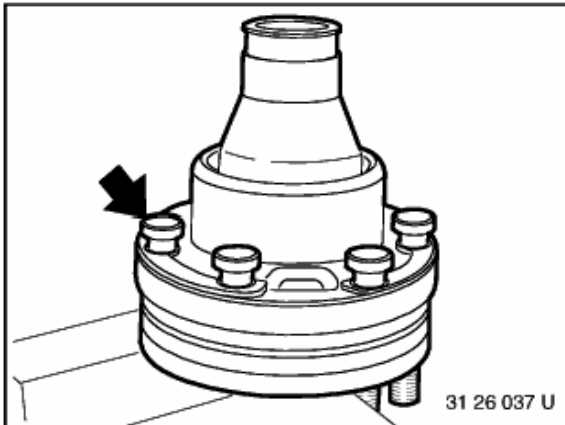


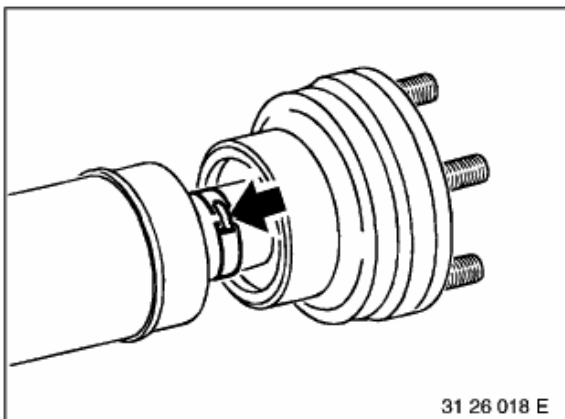
Drive out cheese-head bolts using a plastic hammer.
Remove washers.



Pull or knock off end cover (1).
Watch out for seal (2) between constant-velocity joint and end cover.
Check grease filling, adding grease if necessary,
refer to Technical Data.



Mount new end cover and boot on propeller shaft or on constant-velocity joint.
Install washers and cheese-head bolts.
Drive in cheese-head bolts to fit tightly using a plastic hammer.



Pull boot onto propeller shaft.
Install hose clamp on boot and tighten.