

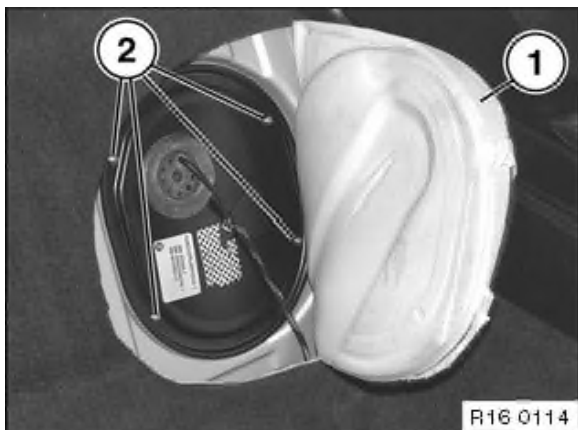
Draw off fuel from fuel tank,  
refer to 16 00 005.

Remove passenger seat,  
refer to 52 10 000.

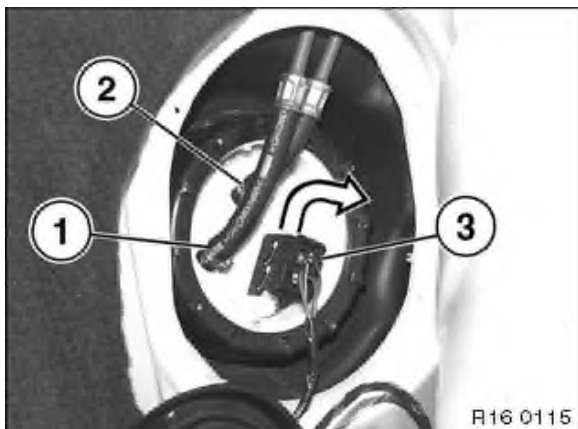
Cut carpet along perforation.

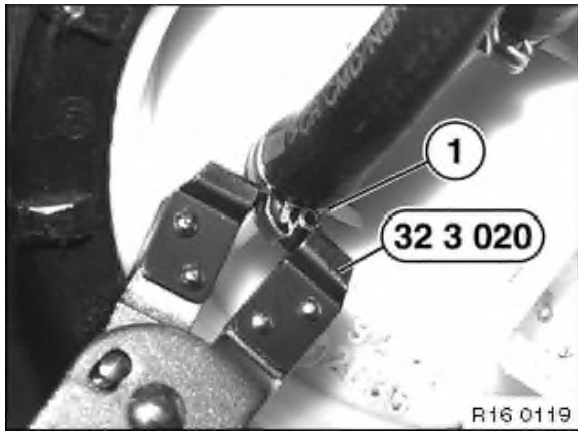


Fold carpet (1) to one side. Unfasten screws (2) and remove cover.



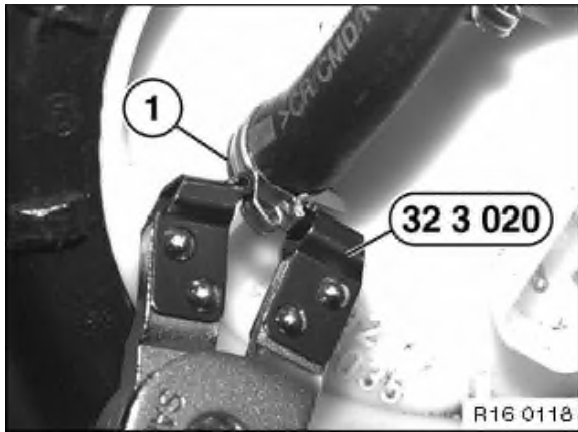
Unfasten hose clip (1/2) with special tool and remove hoses.  
Unlock connector (3) and remove.





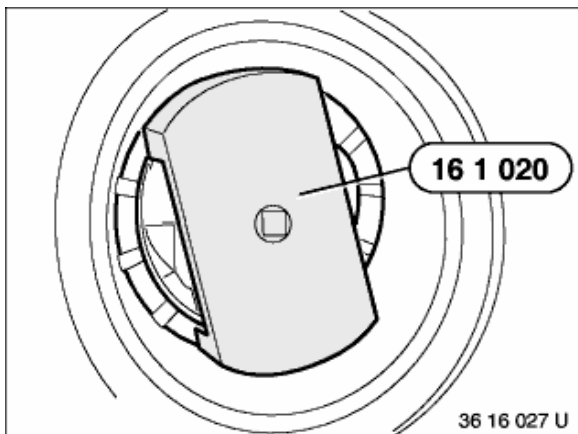
**Note:**

To open the reusable hose clip, fit special tool (32 3 020) with round side (1) as illustrated.



**Note:**

To close the reusable hose clip, fit special tool (32 3 020) with the round side (1) as illustrated. Hose clip engages audibly when closing.



Unfasten rotary connection with special tool 16 1 020.

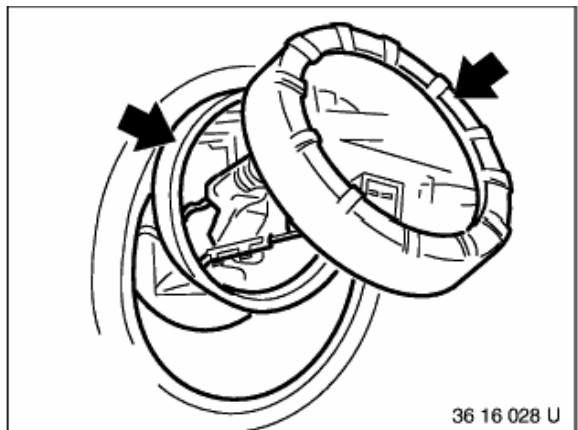
**Installation:**

Replace sealing ring. Check rotary connection for damage and replace if necessary. To ensure adequate preload on the seal, always fit new rotary connection on torsion bar.

Tighten rotary connection with torsion bar and check torque.

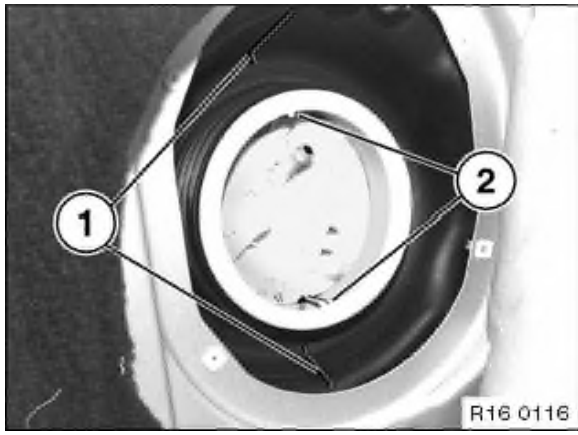
Tightening torque,

refer to Technical Data 16 14 2AZ.



**Installation:**

Replace sealing ring, first inserting sealing ring in the fuel tank.



**Installation:**

Ensure that the position marks on tank and supply unit are aligned opposite to one another.