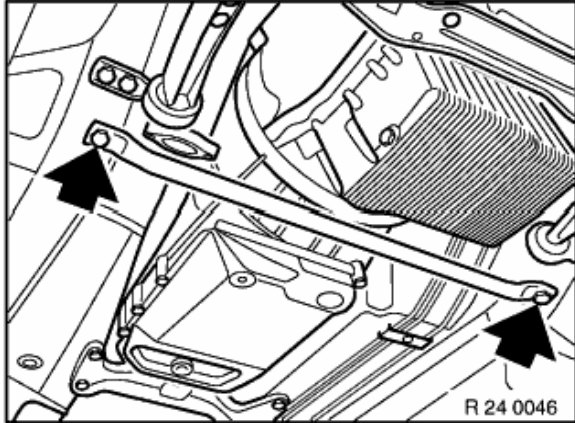


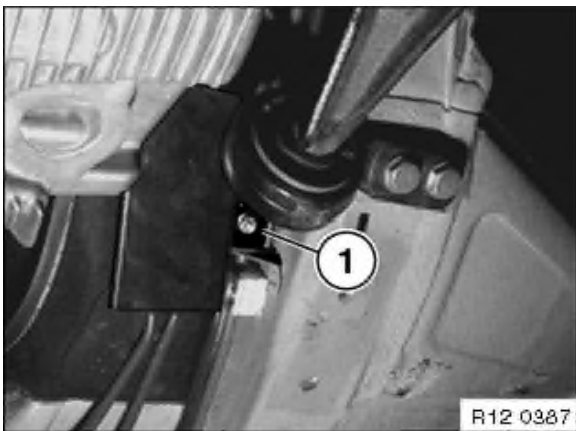
Note instructions for disconnecting and connecting battery, refer to General Data MG 12

Disconnect battery ground wire and mask it.

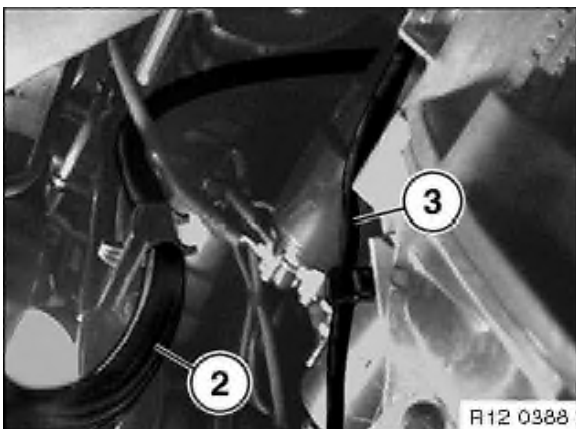
Loosen the screws; remove the reinforcing pipe.

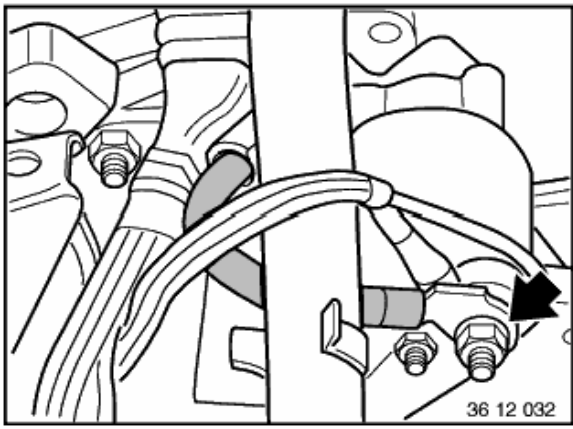


Remove cover (1) from fuel lines.



Unclip fuel lines (2) and line for reversing light (3) from bracket.





Unfasten nuts and remove cable.

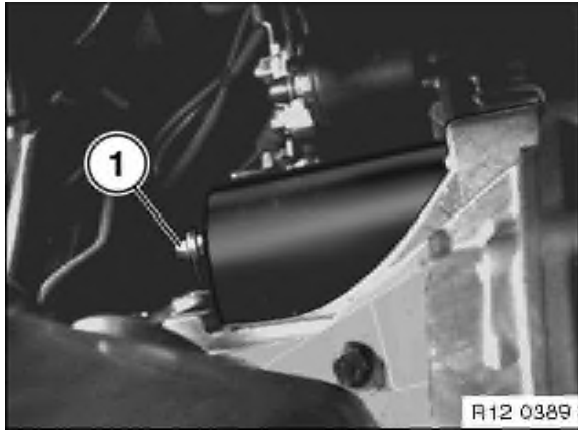
Installation:

Note line routing.

Tightening torque, refer to

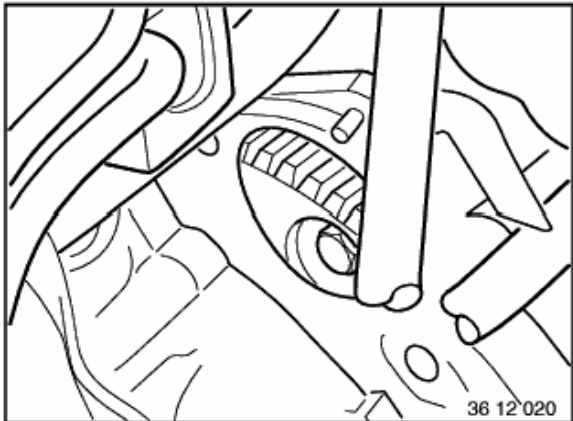
Technical Data 12 41 4AZ

Unfasten screws from top and bottom of starter motor.



If installed:

Unfasten nut (1) on support and remove starter.



Installation:

Check starter pinion and starter crown gear for damage.

Dismantling and reassembling starter motor,

refer to Construction Group Repair Instructions