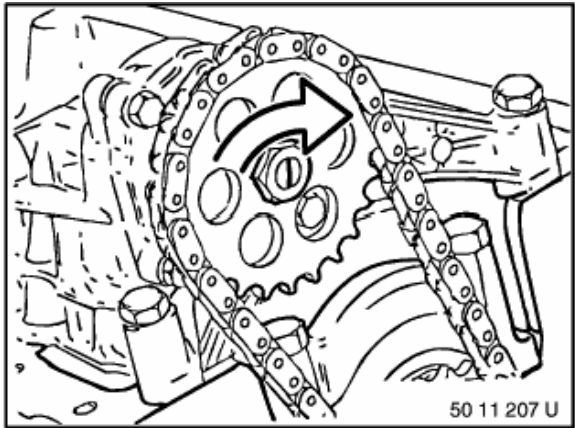


Removing oil pan,
refer to 11 13 000



Caution!

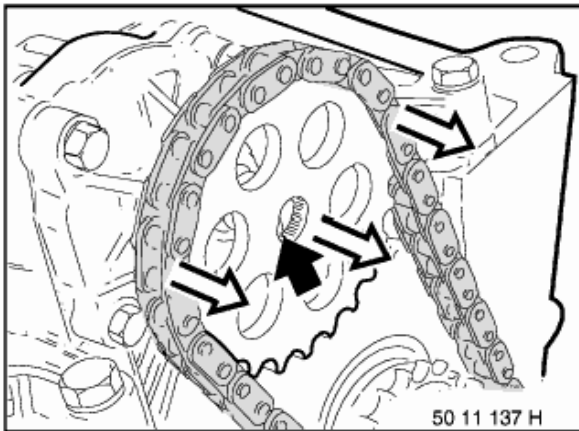
Left-hand threads.

Unfasten nut.

Installation:

Tightening torque,

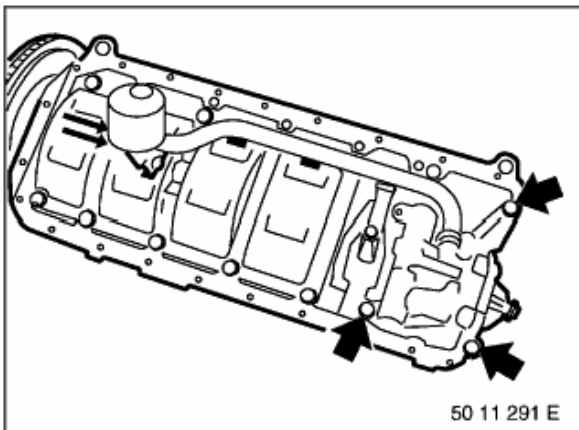
refer to Technical Data 11 41 4AZ



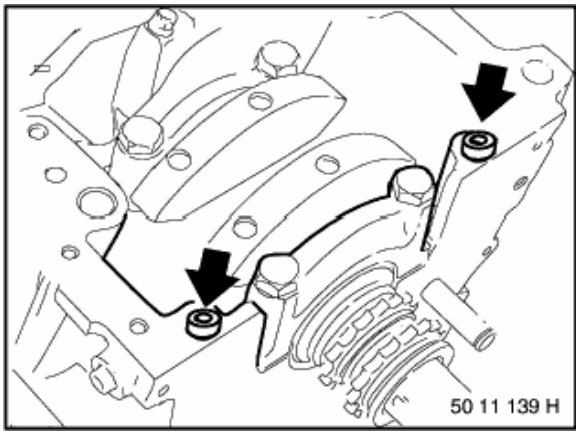
Remove sprocket with chain.

Installation:

Note spline teeth.



Unfasten oil pump and suction pipe support.



Installation:

Check dowel sleeves.