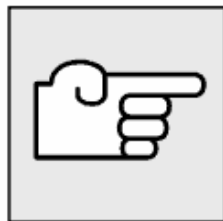
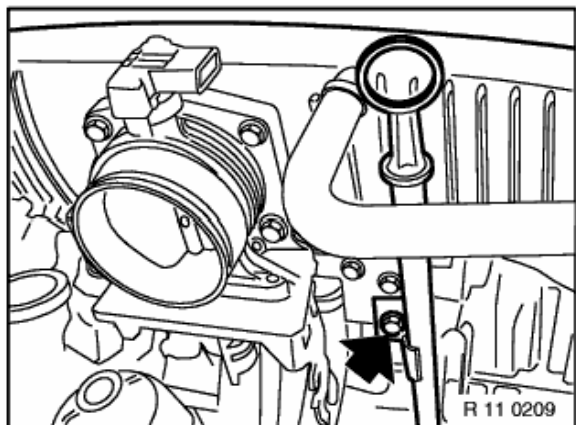


Note:

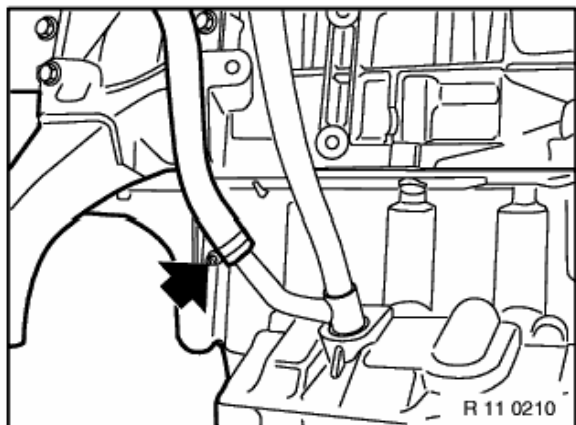
To remove the oil sump, you must lower the front axle support.
There is no need to perform a front axle alignment check.



Remove intake filter housing with air-mass flow sensor.
Remove engine splash guard.
Drain engine oil.

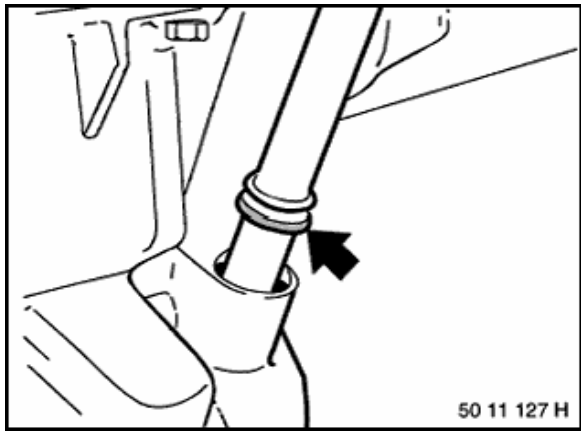


Loosen guide tube for dipstick.

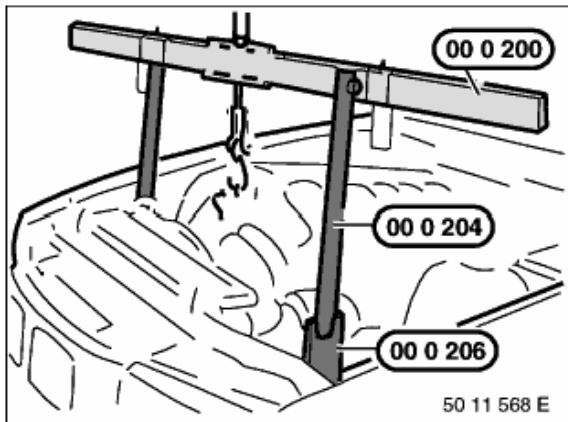


Remove oil return hose from cyclone oil separator on guide tube for
oil dipstick.

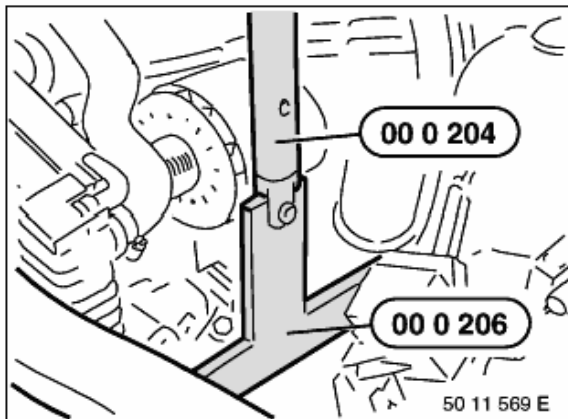
Pull out guide tube for oil dipstick.



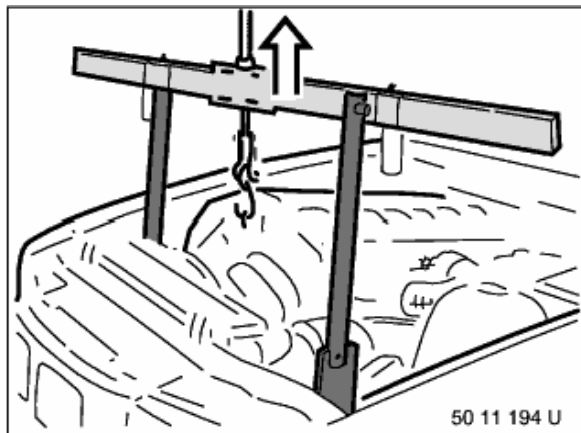
Installation:
Replace O-ring.



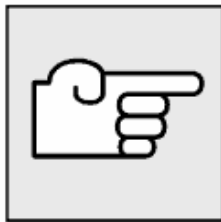
Prepare special tool 00 0 200, consisting of special tool 00 0 201/202/204/206.



Unclip oil lines for power steering unit from bracket on engine support and place to one side.
Fit special tool 00 0 206 to engine mounting.



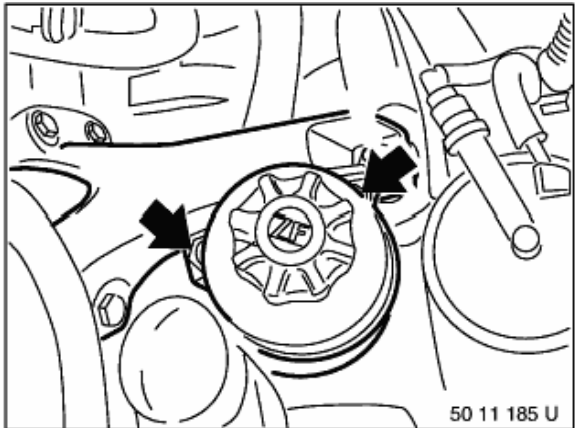
Carefully lift engine approx. 5 mm.



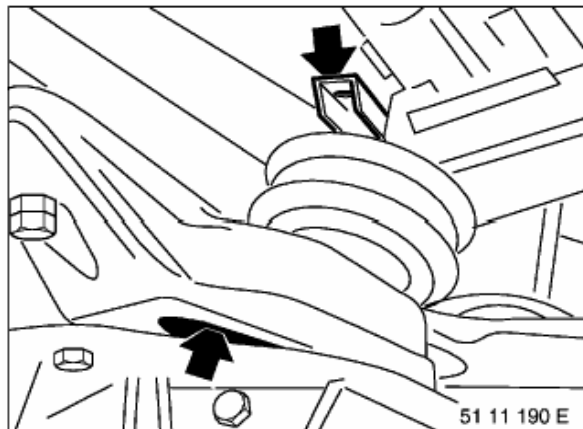
Unfasten steering spindle from steering gear.

This operation is described in the section "Removing and installing steering spindle (bottom)".

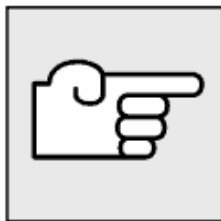
Remove vane pump for power steering unit (lines remain connected).



Drain power steering supply tank and tie back to one side (lines remain connected).



Loosen top and unfasten bottom of left and right engine mounts.



Unfasten left and right control arm from engine carrier. Unfasten screw connection on front axle support and lower the front axle support.

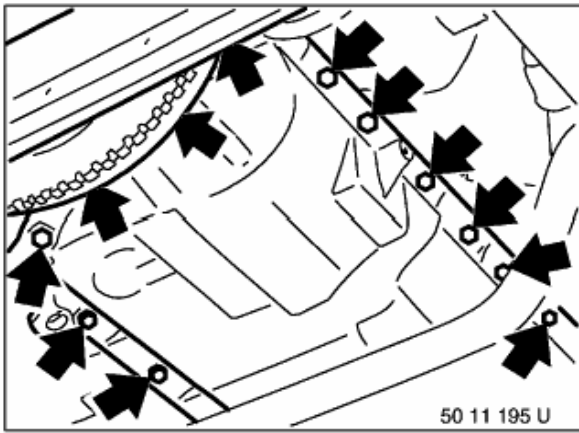
These operations are described in the section Replacing front axle support.

Note:

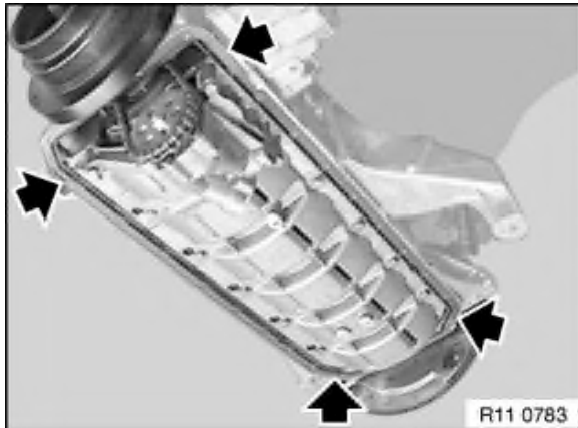
There is no need to detach the steering gear from the front axle support.

Automatic transmission:

Remove oil pipes from oil pan.



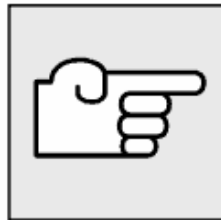
Unfasten oil pan screws at transmission and engine ends.
Lower oil pan and pull forwards to remove.



Installation:

Sealing faces clean and free of seal debris.

Apply Drei Bond 1209 sealing compound to area around joint (refer to BMW Parts Service): approx. 3 mm wide and 2 mm high.



Installation:

1. Replace gasket
2. Install oil sump.
3. Insert all oil sump screws.
4. Insert screws in transmission end without preload at this stage.
5. Tighten down screws in engine end.
6. Tighten down screws in transmission end.