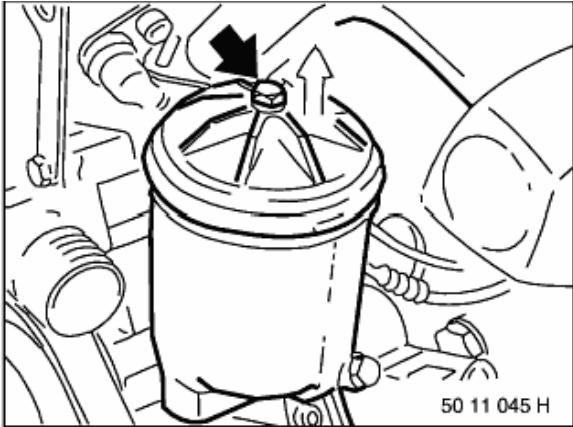


(change engine oil and oil filter insert)



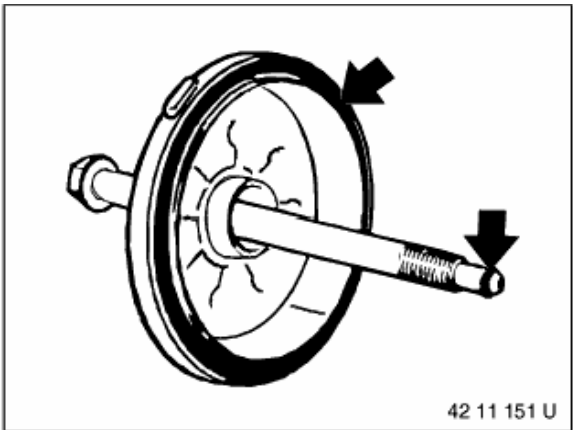
Version with central screw:

Unfasten full-flow oil filter cover.

Engine oil flows out of the oil filter housing and back into the oil pan.

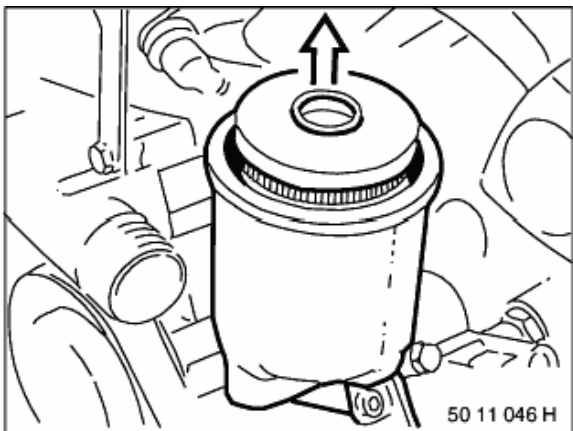
Installation:

Tightening Torque,
refer to Technical Data 11 42 2AZ.

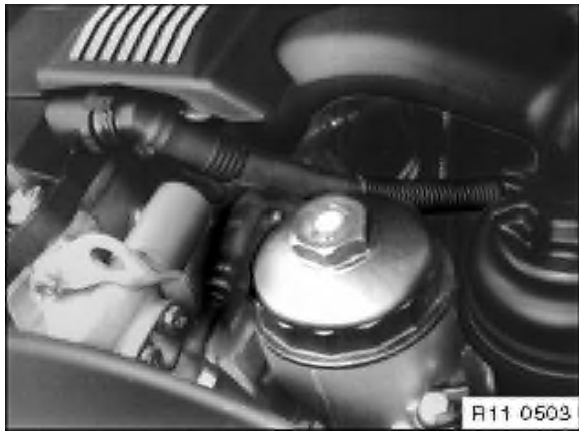


Installation:

Replace seals in full-flow oil filter cover and on the screw.



Remove oil filter insert.



Version with screw cap:

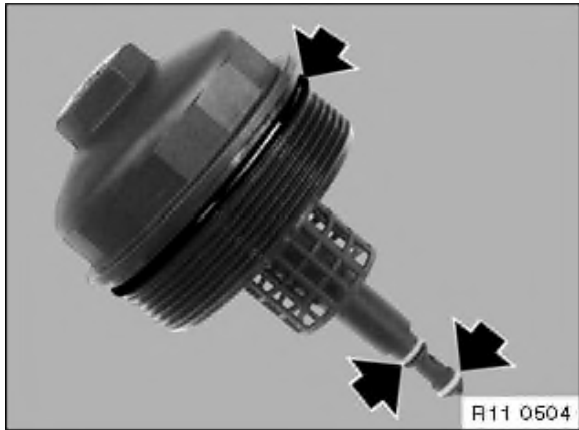
Note:

Do not damage full-flow oil filter cover. Only open and tighten with socket wrench.

Unfasten full-flow oil filter cover, enabling engine oil to flow out of oil filter and back into the oil pan.

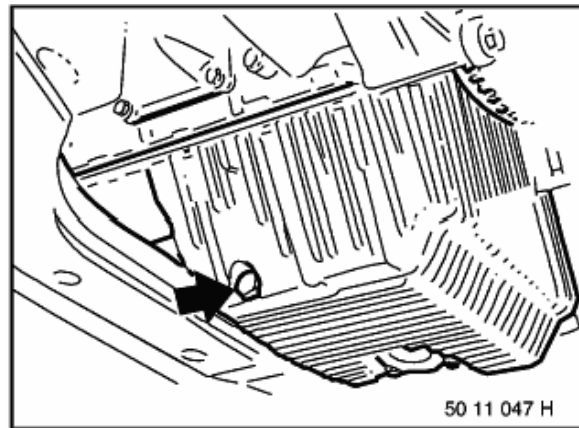
Installation:

Tightening Torque,
refer to Technical Data 11 42 2AZ.



Installation:

Replace seals and coat with oil.



Open oil drain plug or drain off oil.

Installation:

Replace sealing ring.

Tightening Torque,
refer to Technical Data 11 13 1AZ.

Top up engine oil.

Switch on engine and run at idle until oil indicator lamp goes out.

Stop engine and check oil level.

Note:

Park vehicle on level ground.