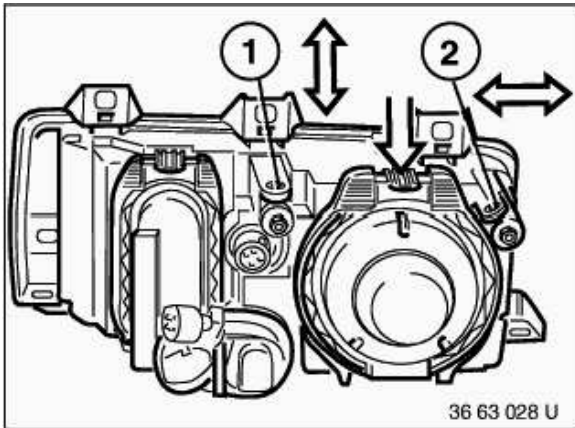


Note test prerequisites for adjusting headlights,  
refer to 63 10 test prerequisite



Sedan, Coupé, Convertible, touring

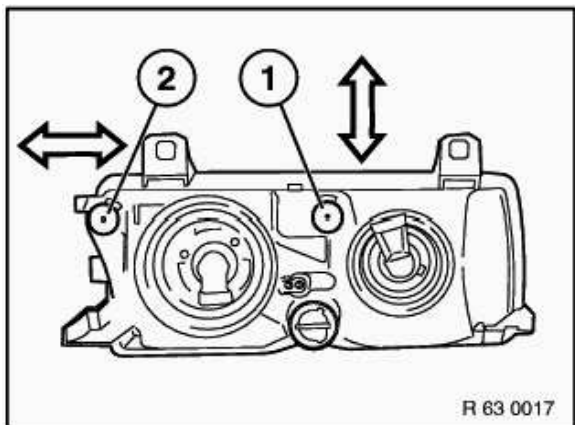
Adjust headlights by turning adjusting screws (1) and (2).

A definite allocation of adjusting screws is not possible.

1. Adjusting screw for vertical adjustment
2. Adjusting screw for lateral adjustment

**Note:**

Adjusting screws are shown on a removed headlight.



compact, Z3

Adjust headlights by turning adjusting screws (1) and (2).

A definite allocation of adjusting screws is not possible.

1. Adjusting screw for vertical adjustment
2. Adjusting screw for lateral adjustment

**Note:**

Adjusting screws are shown on a removed headlight.