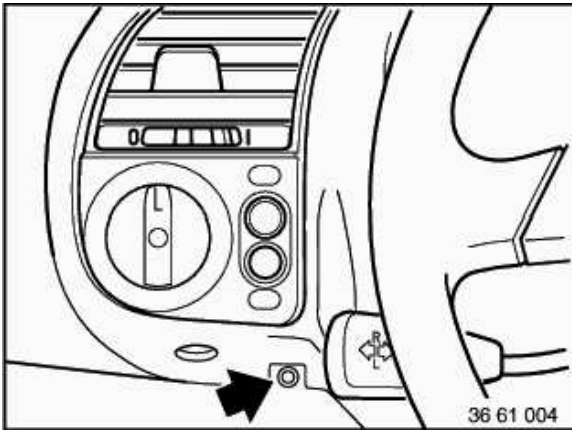
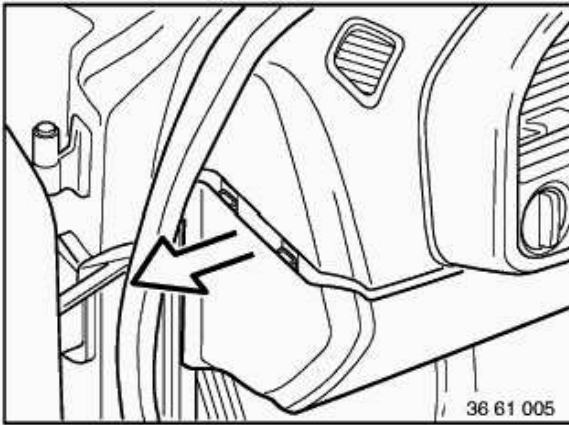


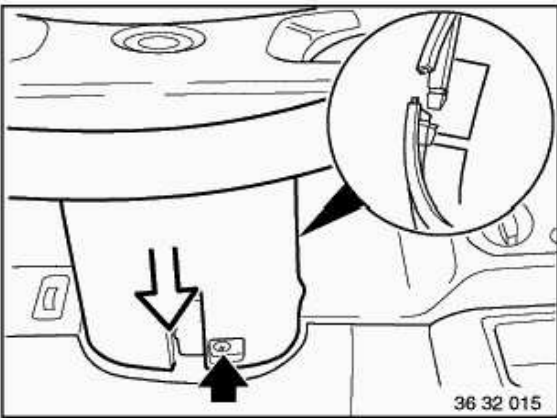
Turn steering wheel to straight-ahead position.
Remove steering wheel,
refer to 32 33 000
Remove instrument panelling at bottom left.



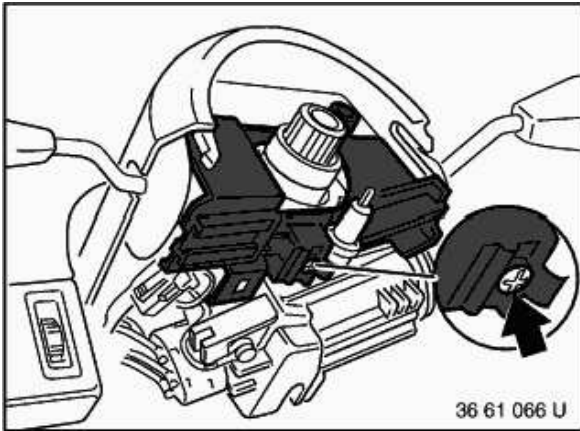
Unscrew bolts.



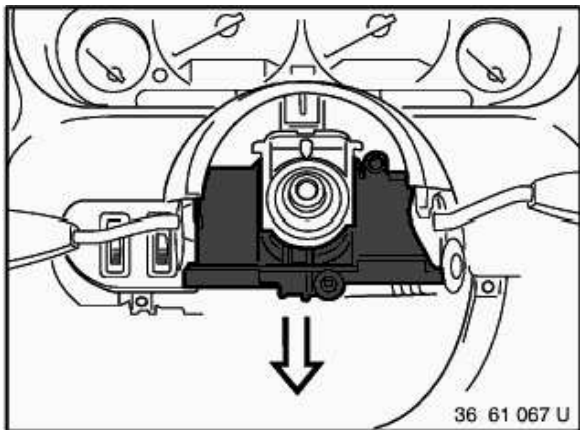
Pull bottom trim panel to the side out of the clips.



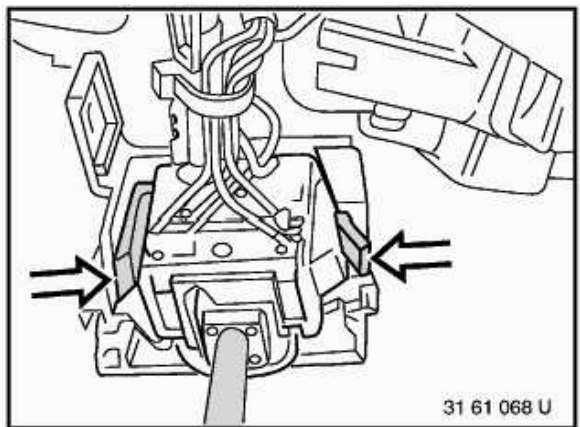
Remove screw and take off lower section of steering-column panelling.



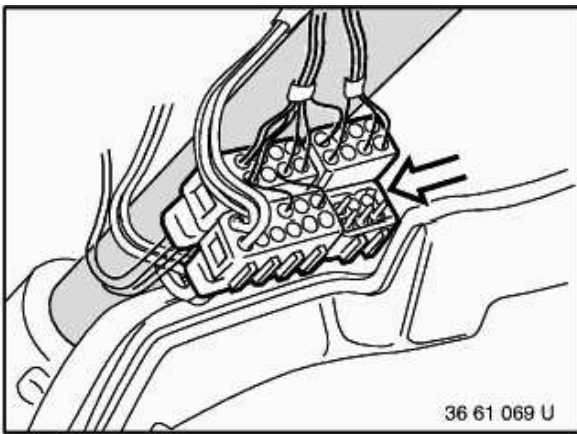
Remove screw for holder of steering-column stalk.



Lever off holder in downwards direction using a screwdriver.



Compress retainers on both sides and pull out lever.



Loosen cable straps on steering column.
Disconnect connector.

Installation:

Be careful not to damage self-cancelling cams of turn-indicator lever. Turn turn-indicator lever to middle position before mounting.