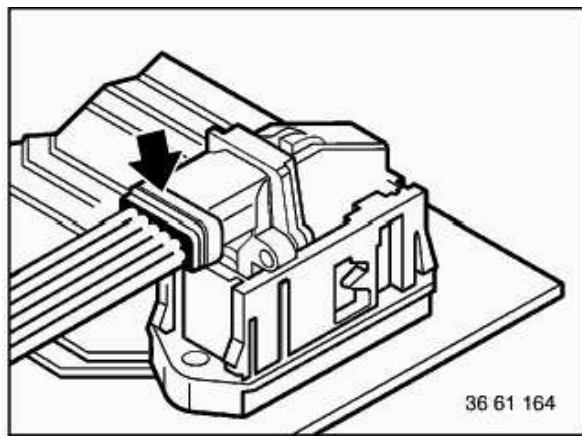


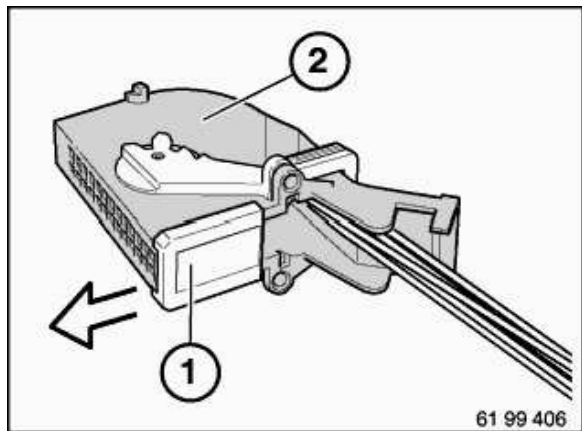
Unlock lock.



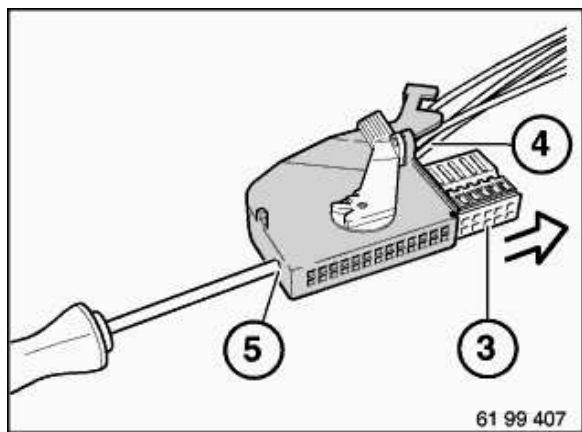
Unfasten cable clip.

Installation instructions:

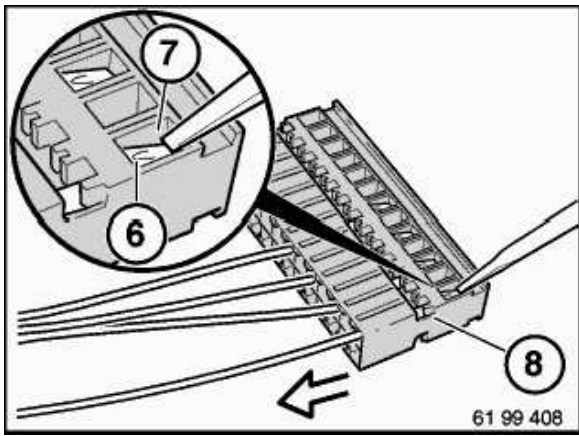
Do not forget to install cable strap.



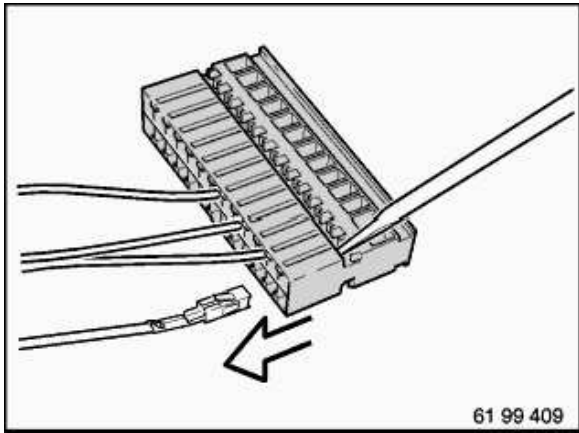
Pull off lock (1) (slide).



Press contact carrier (3) and cables out of aperture (5).



Hold down arrester hook (6) of defective contact and pull cable and contact up to secondary lock (8).



Hold down arrester hook once again in secondary lock (8) and pull cable and contact completely out of contact carrier.