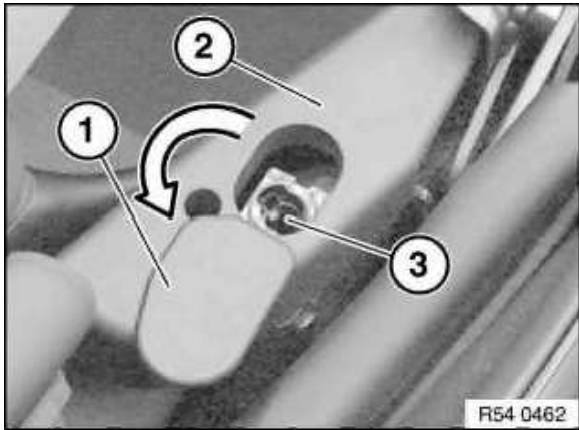


Open convertible top.

Open side windows.

Open cap (1) on cover at top of B-pillar (2).

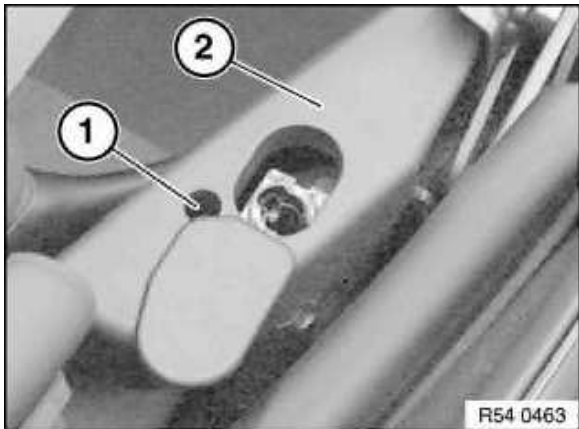
3 Hard top locating point



Unscrew bolt (1).

Remove cover at top of B-pillar (2).

Fit hard top and lock.

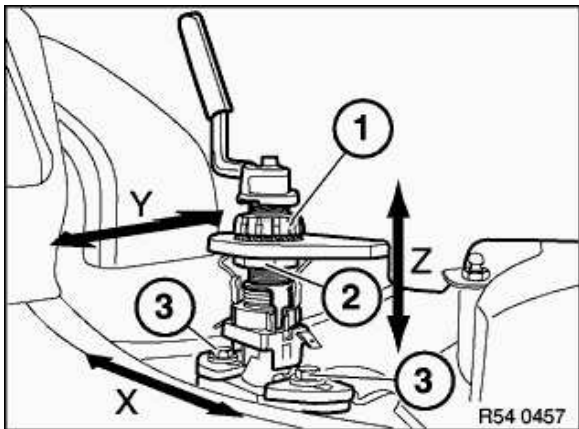


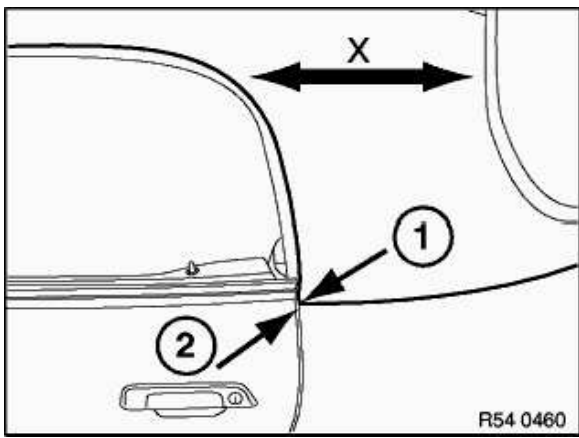
Installation:

Release slotted nut (1). Adjust hard top in direction "Y" (transverse to vehicle axis) symmetrically on left and right.

Adjust vertical clearance "Z" between hard top and body (0.2 mm all round) with nut (2).

Release screws (3). Adjust hard top in direction "X" (vehicle longitudinal axis).





Installation:

During movement in direction "X", edge of hard top (1) must be flush with edge of side panel at rear (2).