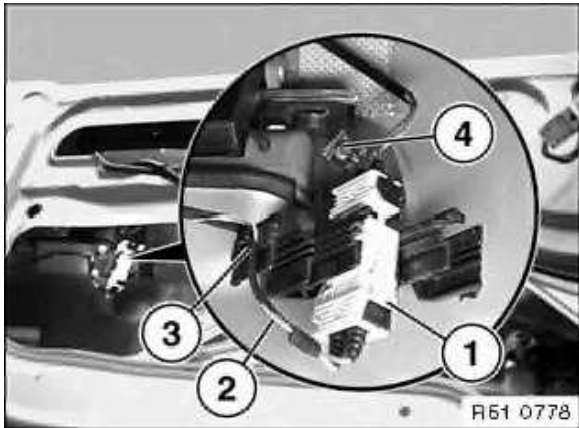


Remove finisher strip for outside handle on front door,  
refer to 51 21 194

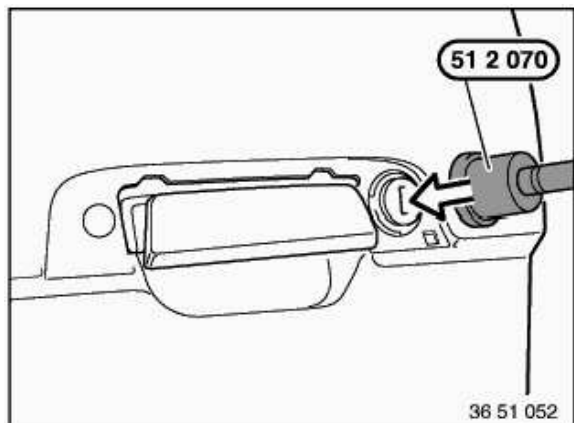
Remove front door trim,  
refer to 51 41 000



Turn and remove holder on outside handle.

Cut through connector (1) on central locking mechanism and disconnect cable (2) from retaining tab (3).

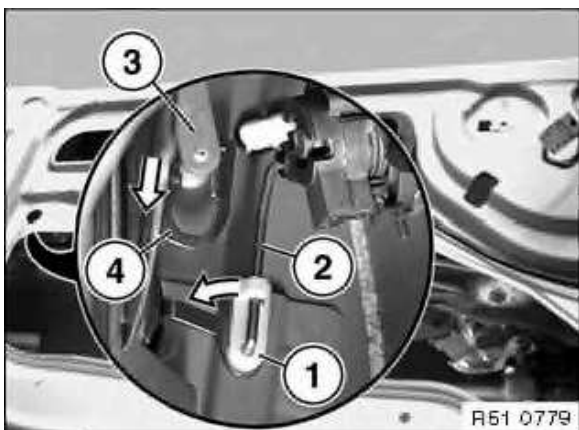
Remove retaining plate (4) and lift out pin.



Unscrew nut using special tool 51 2 070 and take off outside handle.

**Installation:**

Tightening Torque, refer to Technical Data 51 21 2AZ  
Check function.

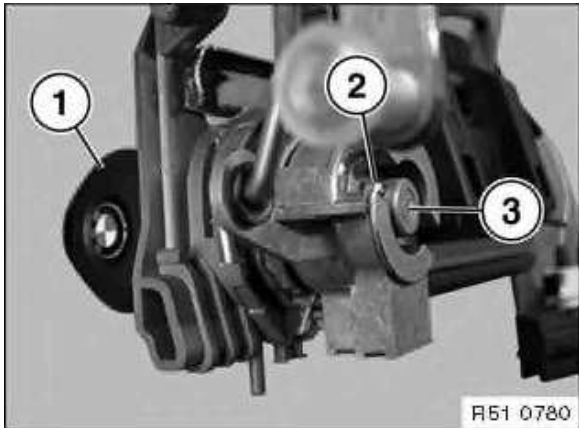


Unclip retainer (1) and lift out linkage (2). Press outside handle (3) slightly down, disconnect from gate on door lock (4) and remove.



**Note:**

The operation "Removing outside handle from left or right front door" ends here.



Only for replacement of lock cylinder:

Insert key (1) in lock cylinder (3).

Drive out pin (2) using much and press out lock cylinder (3) using the vehicle key (1) (do not pull on the key (1)).



**Note:**

If the key (1) is removed from the lock cylinder (2) during disassembly, the encoding plates (3) drop out.

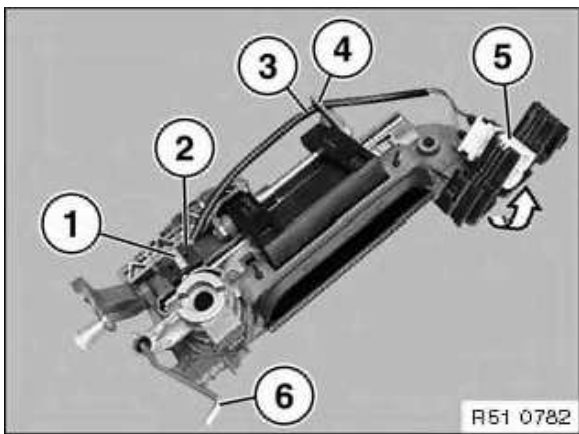
**Installation:**

When installed, the tip (4) is at the top.



**Note:**

The operation "Removing and installing/replacing complete lock cylinder on left or right front door" ends here.



Remove clip (1) and lift out micro-switch (2). Remove cable (3) from the guide (4). Twist contactor socket (5) and remove. Remove actuating rod (6).