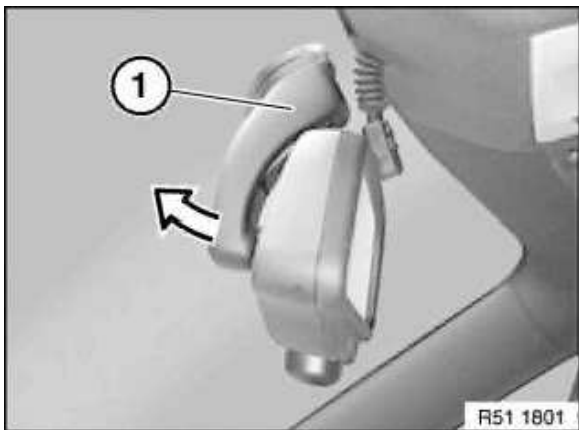
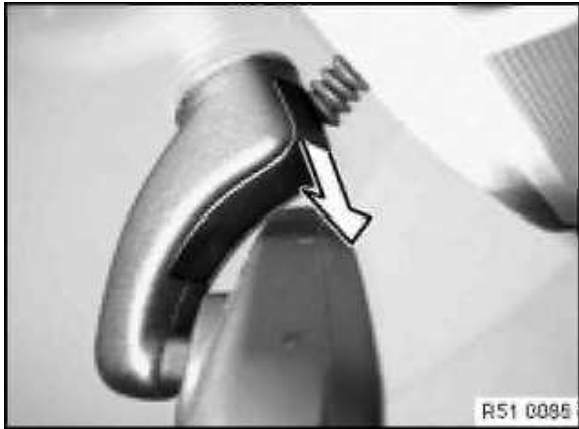


Note:

On version with remote control for central locking:
If necessary, disconnect negative lead to battery,
refer to 12 0 ...

Version with automatic dip action (electro-chrome plating
technology) for interior mirror and/or infrared remote control:
Remove panel and disconnect plug connection.



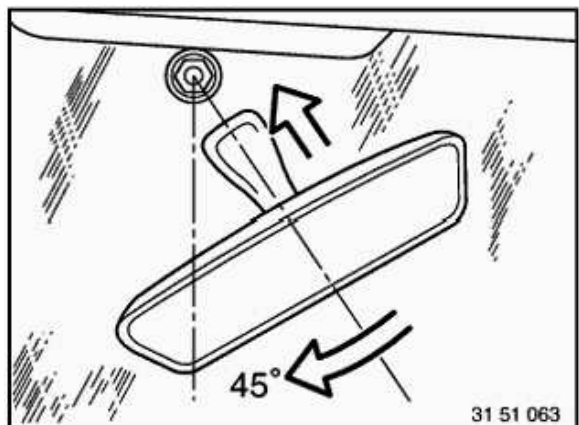
Snap mirror (1) forwards out of mirror mount and remove.

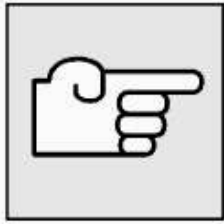
Caution!

Do not snap mirror backwards (risk of damage).

Installation:

1. Twist mirror base by approx. 45° and fit to mirror mount.
2. Turn mirror foot until it engages on mirror base.





Only replace with version with infrared remote control for central locking:

Installation:

Initialise all transmitters (key),
refer to Owner's handbook.