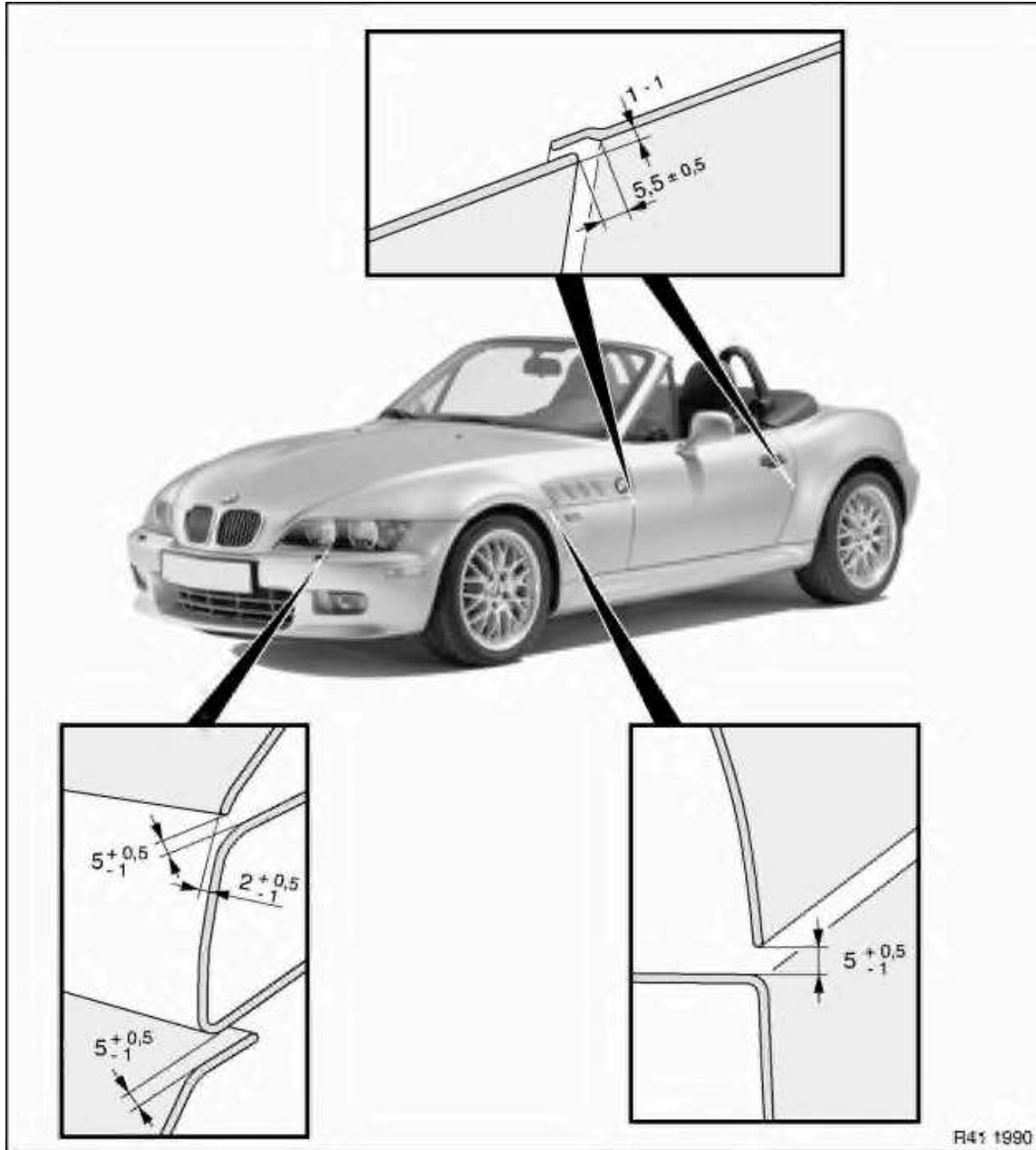
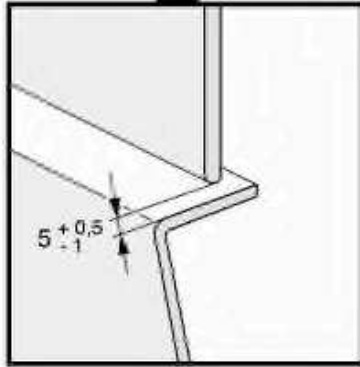
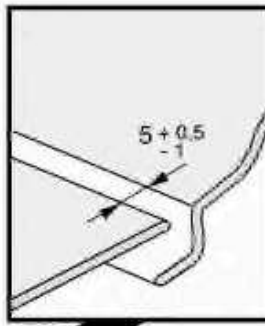
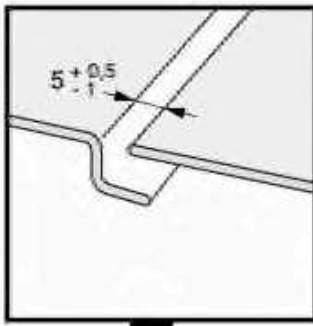


Dimensions in mm





R41 1991