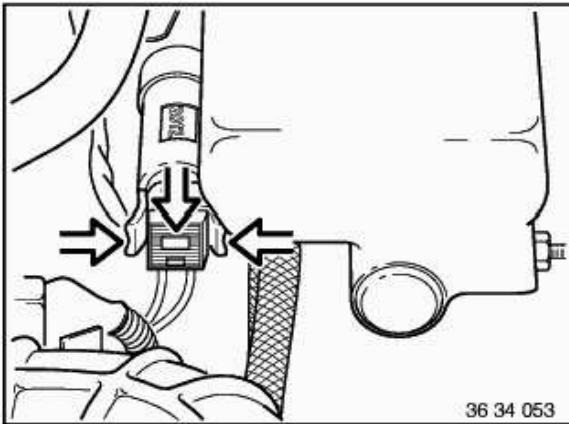


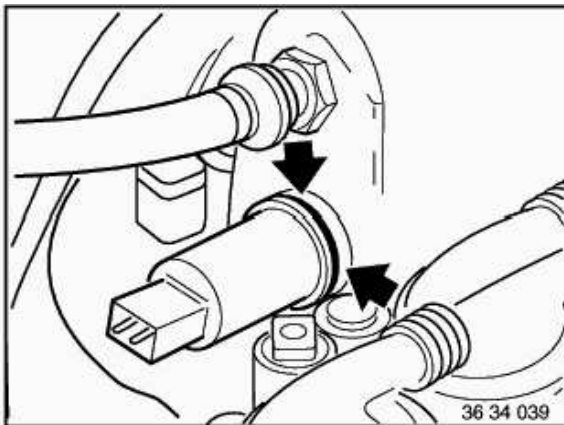
Note:

Switch off ignition.

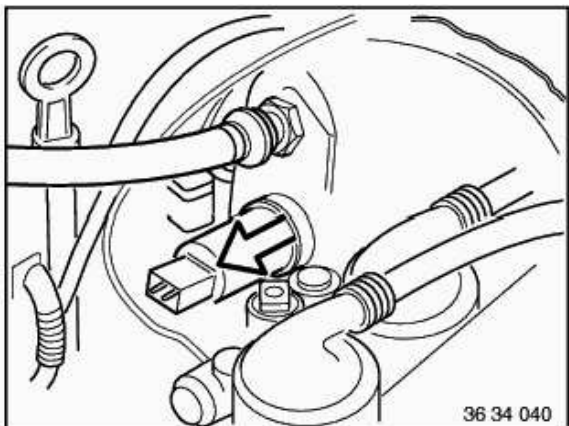
Pull of cable connector from distance sensor.

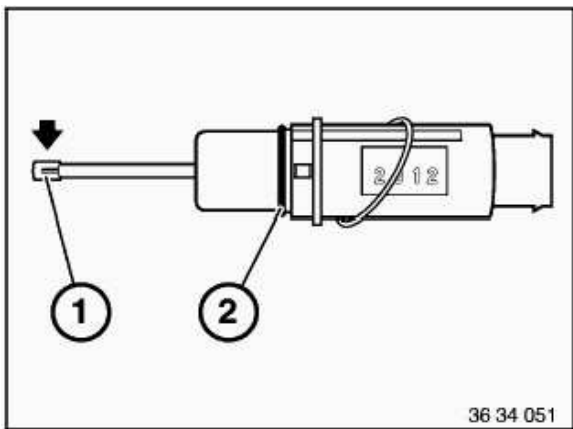


Lift snap ring out using a screwdriver.



Pull distance sensor out of guide.



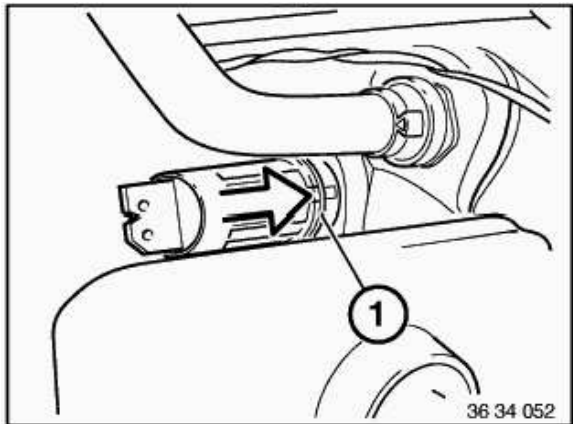


Caution!

Vacuum booster housing has a colour code.

Slide a spacer cap (1) of same colour on plunger.

Slide on new O-ring (2) as far as sealing edge on distance sensor.



Mount new snap ring (1) in groove of sensor holder in brake booster.

Slide in new distance sensor until snap ring is heard and seen to engage.

Connect cable connector.