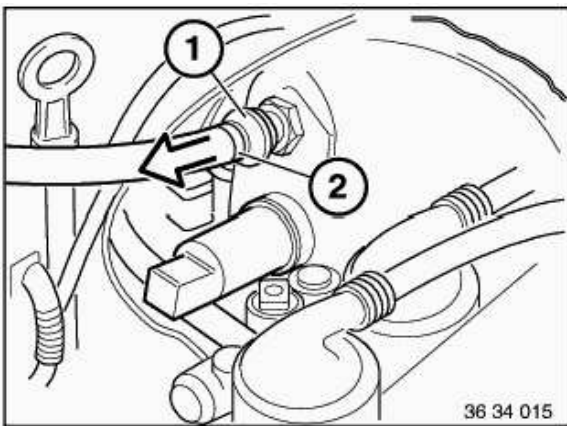


Disconnect vacuum hose on non-return valve (1).

Installation:

Replace clamp if necessary.



Loosen clamp (2) and pull out non-return valve (1).