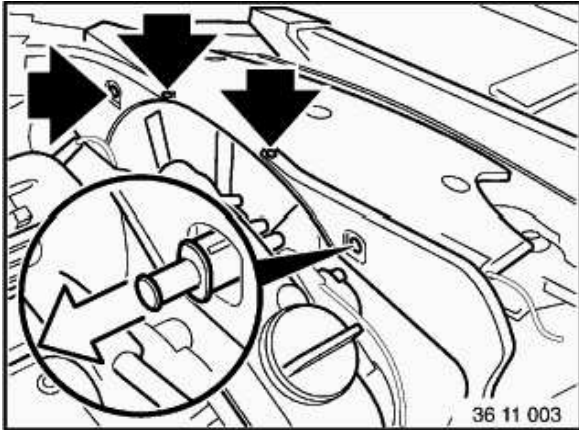
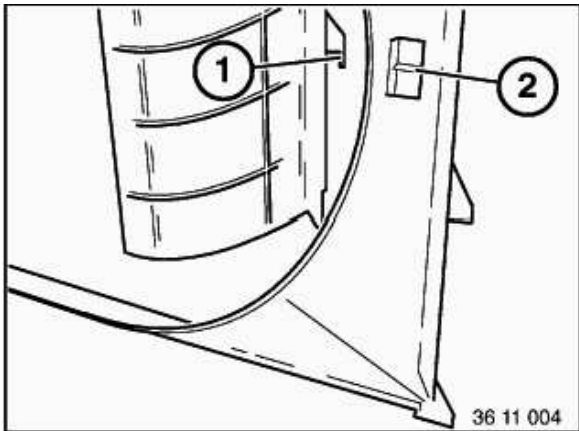




Remove fan impeller with fan clutch from water pump.

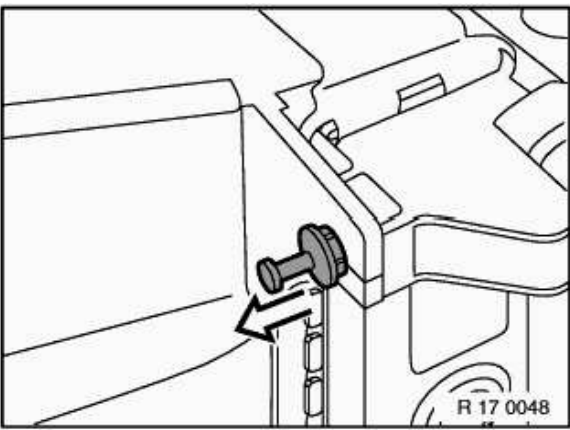


Lever out expansion rivets and pull out air duct on left and right.

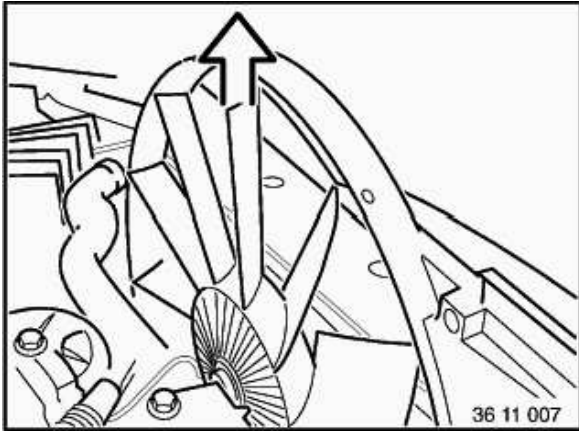


*Installation:*

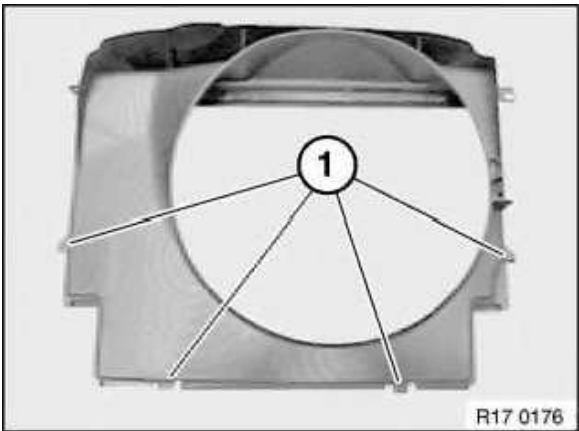
Join lug (1) on left and right air duct in corresponding slot (2) in fan cowl.



Lever out expansion rivets on left and right from fan cowl.



Lift out fan cowl and fan impeller together.



*Installation:*

Attach bracket (1) of fan cowl in retaining lugs at bottom and sides.