

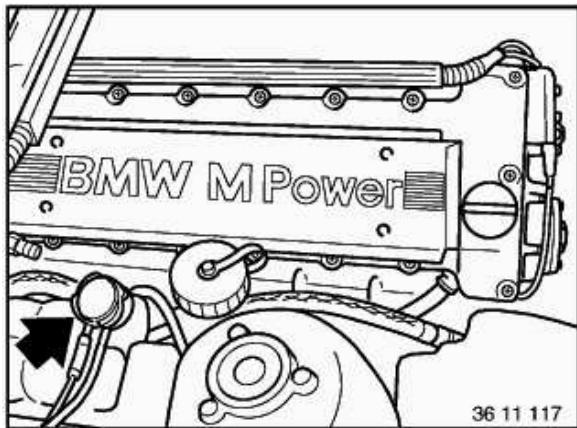
**Note:**

After topping up the coolant, bleed the cooling system and check for water tightness, refer to 17 00 039

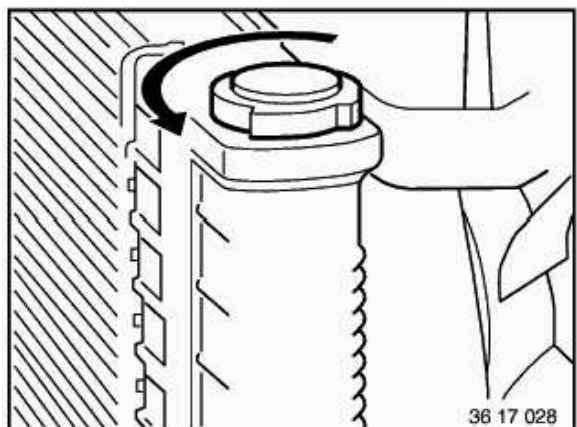
**Drain coolant!****Caution!**

Danger of scalding!

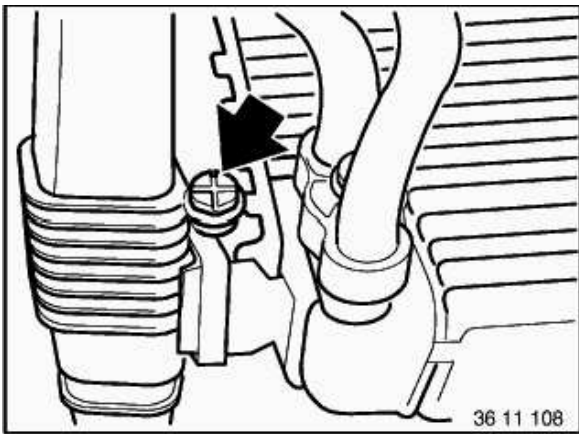
Safety information: Only perform this work after engine has cooled down.

**Separate expansion tank**

Unfasten cap on expansion tank.

**Integrated expansion tank**

Unfasten cap on expansion tank.



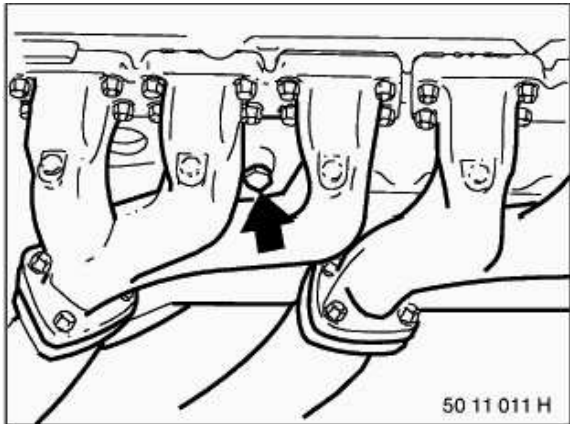
Remove front underbody protection and unfasten drain plug at bottom of radiator if necessary.

**Installation:**

Replace gasket.

Tightening Torque, refer to Technical Data 17 11 2AZ

Drain, catch and dispose off coolant.



**All 6-cylinder engines**

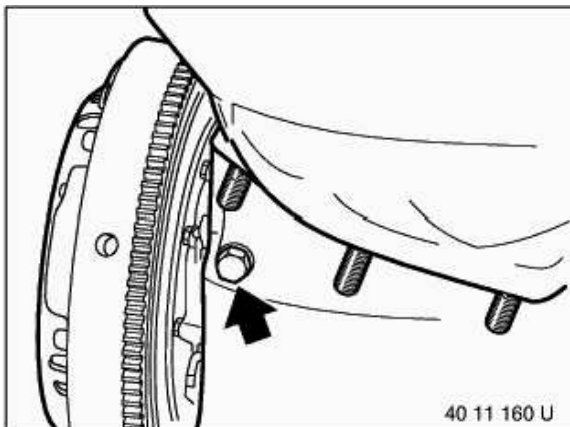
Unfasten drain plug on engine block.

**Installation:**

Replace gasket.

Tightening Torque, refer to Technical Data 11 11 5AZ

Drain, catch and dispose off coolant.



**All 4-cylinder engines**

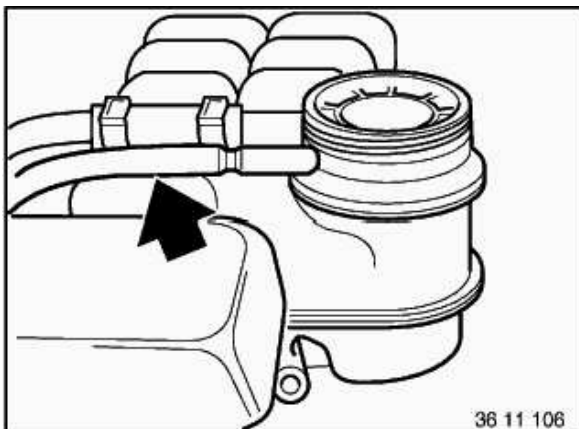
Unfasten drain plug on engine block.

**Installation:**

Replace gasket.

Tightening Torque, refer to Technical Data 11 11 5AZ

Drain, catch and dispose off coolant.



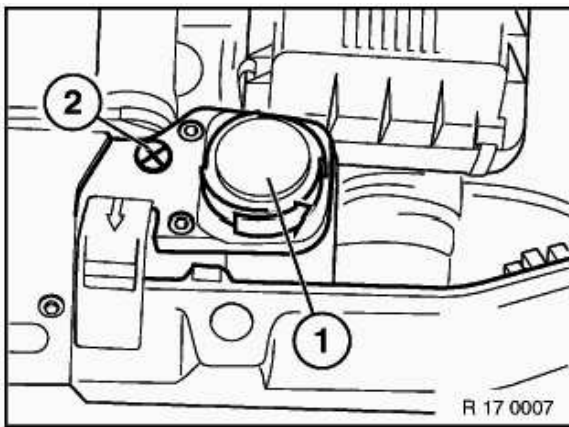
**Top up coolant!**

**Separate expansion tank**

No bleed screws on radiator and thermostat housing!

All bleeding occurs through the vent pipe which leads to the connection on the expansion tank.

Coolant system is vented during the filling procedure.

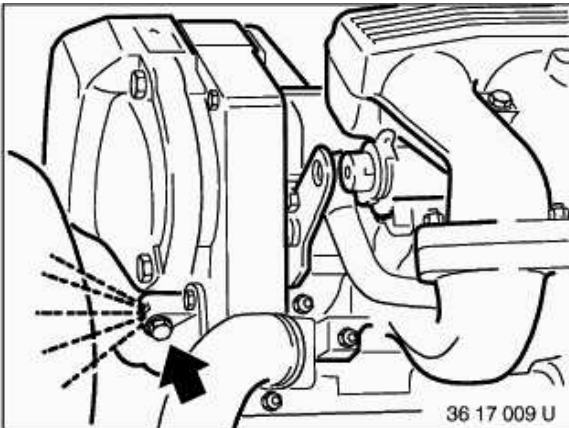


### Integrated expansion tank

Unfasten vent screw on expansion tank.

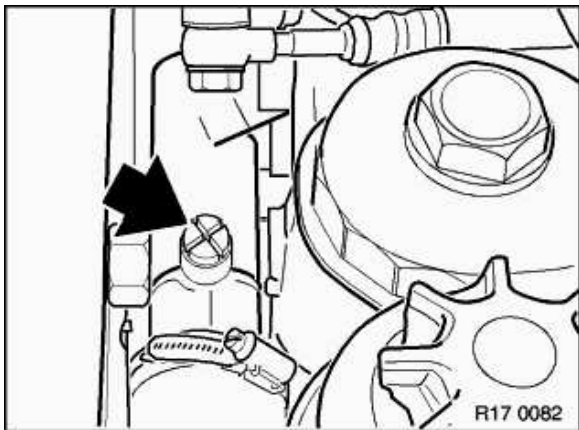
All bleeding occurs through vent plug on expansion tank.

Cooling system is vented after the filling procedure.



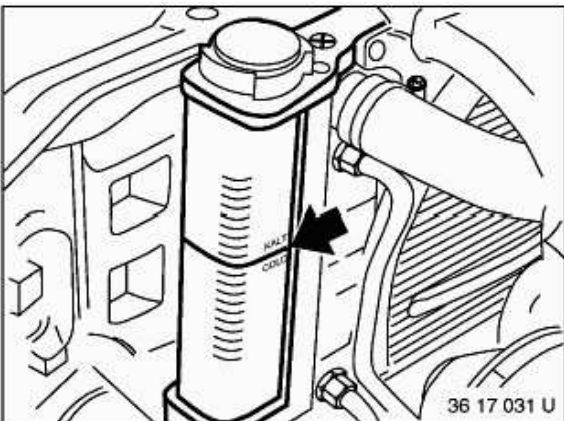
### M40

Loosen additional vent screw on thermostat housing.



### M52

On vehicles with M52 engines, also unfasten additional vent screw.



### Note:

Before filling, switch on ignition, set heater control to maximum temperature and set fan to low speed. This opens heating valves and installed auxiliary water pump runs if necessary.

Perform filling operation slowly.

Fill expansion tank completely and wait until coolant emerges at vent point(s) without bubbles. Close bleed screw(s).

### Note:

Only use specified coolant, refer to Operating Fluids Specification MG 17