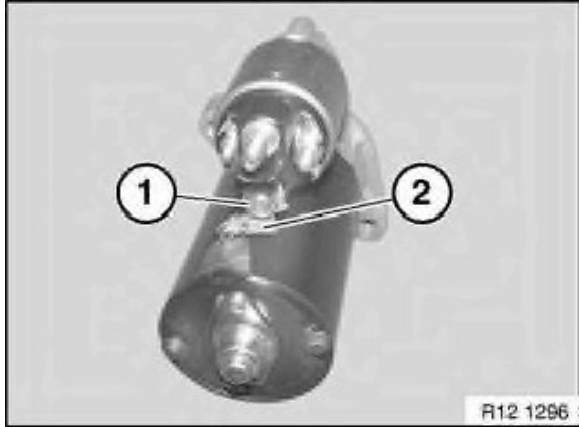


Turn off ignition.

Remove starter motor.



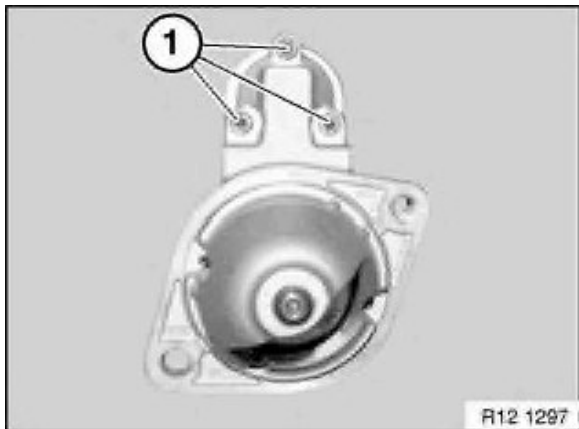
Release nut (1).

Remove cable lug (2).

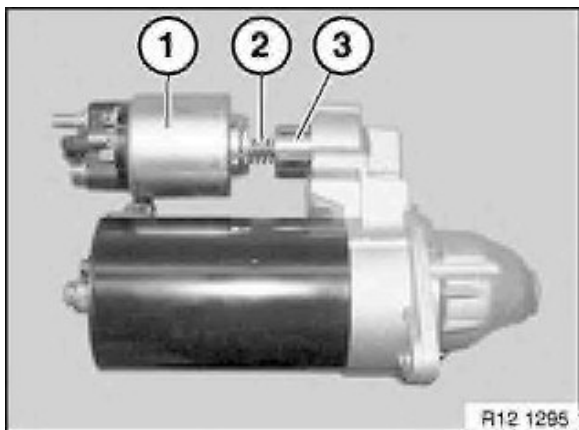
Caution!

Do not turn cable lug (2) while tightening down - risk of short circuit to starter motor housing.

Tightening torque, 12 41 4AZ.



Release screws (1).



Remove solenoid switch (1) and spring (2).

Unhook pin (3).

Installation:

Check pin (3) for wear and apply grease.